

**Septic Installers' Local Distributor for Monarch Products Co. Inc.  
Precast Concrete Products**

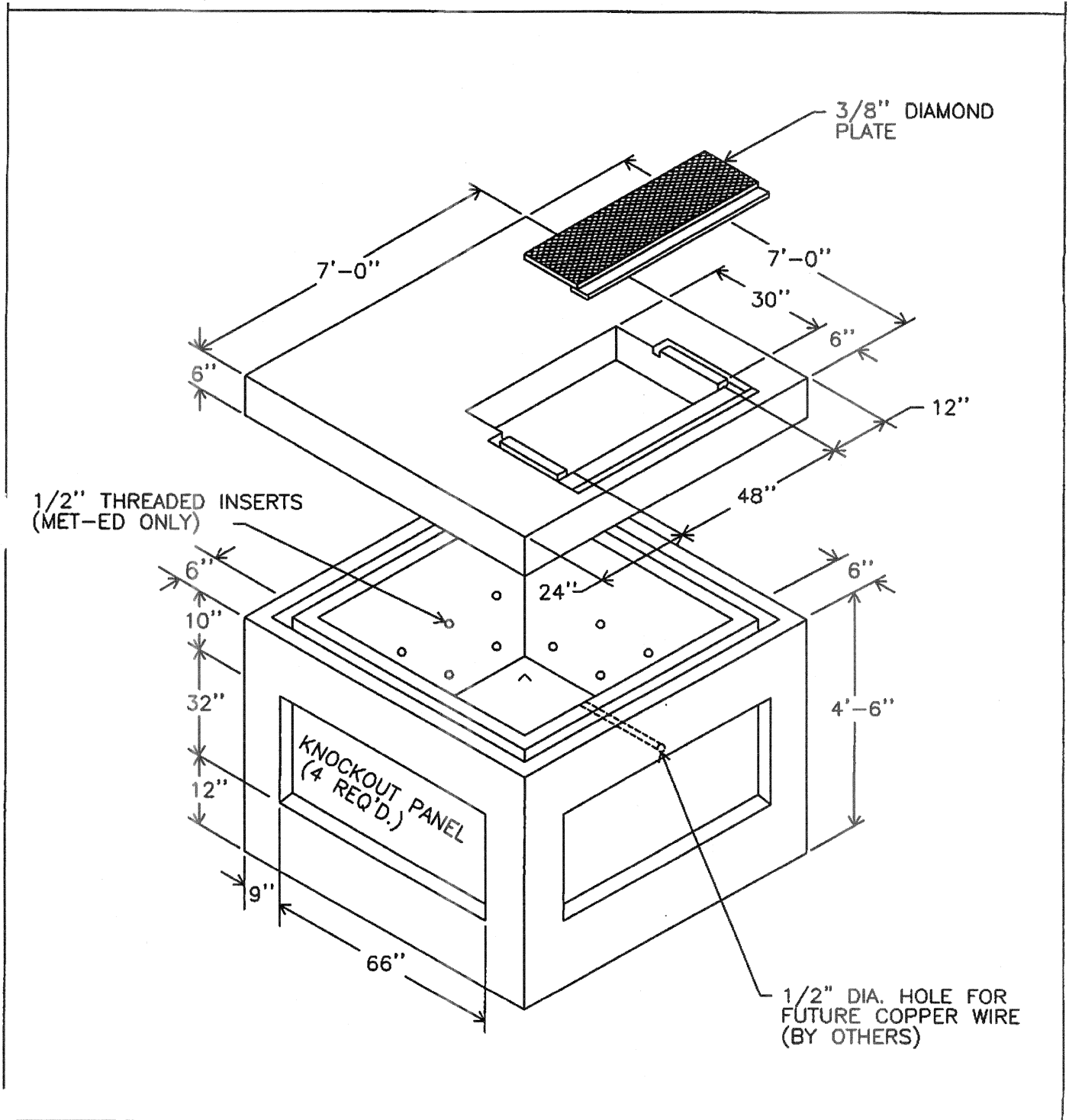
## **Electrical Boxes**

664	TRANSFORMER FOUNDATION
E-2	HANDHOLE 2' x 2'
E-3	HANDHOLE 3' x 3'
E-4	MANHOLE 4' x 4'
E-6	MANHOLE 6' x 6'
E-10	MONUMENT 12" x 12"



# CHESAPEAKE BAY SEPTIC TANK, LLC

Septic Installers' Local Distributor for Monarch Products Co. Inc.  
Precast Concrete Products



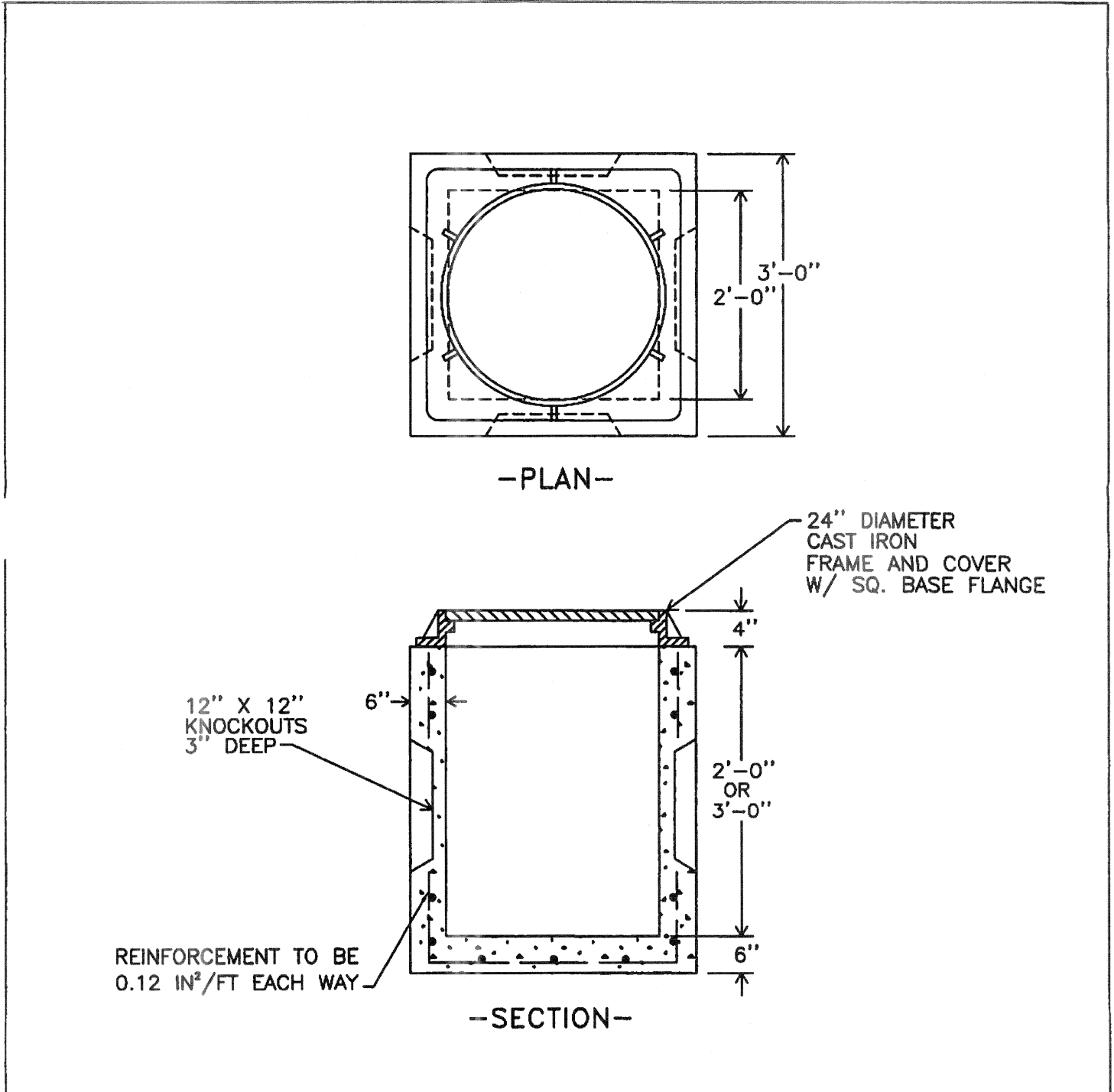
PRECAST TRANSFORMER FOUNDATION

DWG. 664



# CHESAPEAKE BAY SEPTIC TANK, LLC

Septic Installers' Local Distributor for Monarch Products Co. Inc.  
Precast Concrete Products



NOTE: AVAILABLE WITH OPEN BOTTOM IF REQ'D.

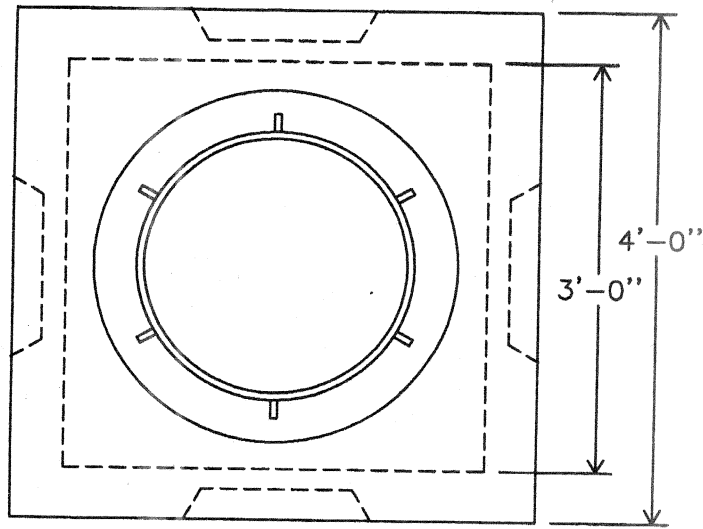
2' X 2' PRECAST CONCRETE HANDHOLE

DWG. E-2

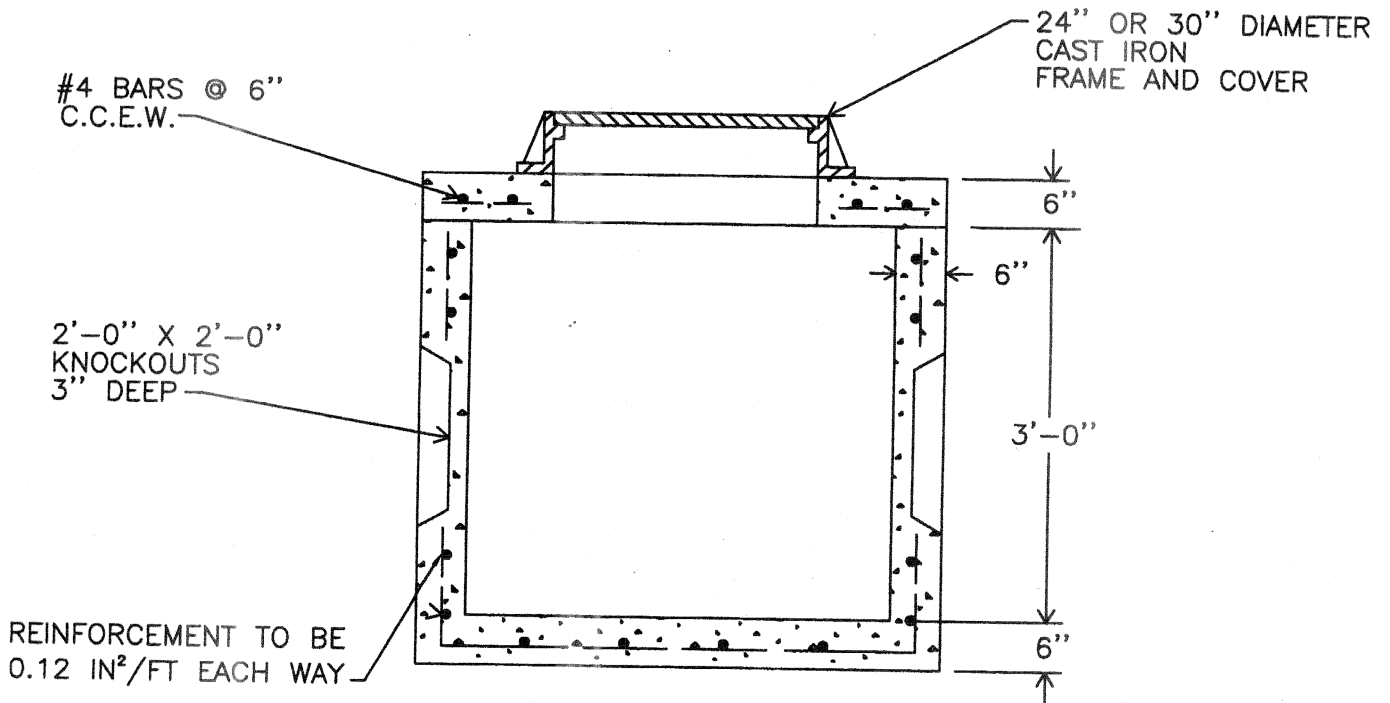


# CHESAPEAKE BAY SEPTIC TANK, LLC

Septic Installers' Local Distributor for Monarch Products Co. Inc.  
Precast Concrete Products



-PLAN-



-SECTION-

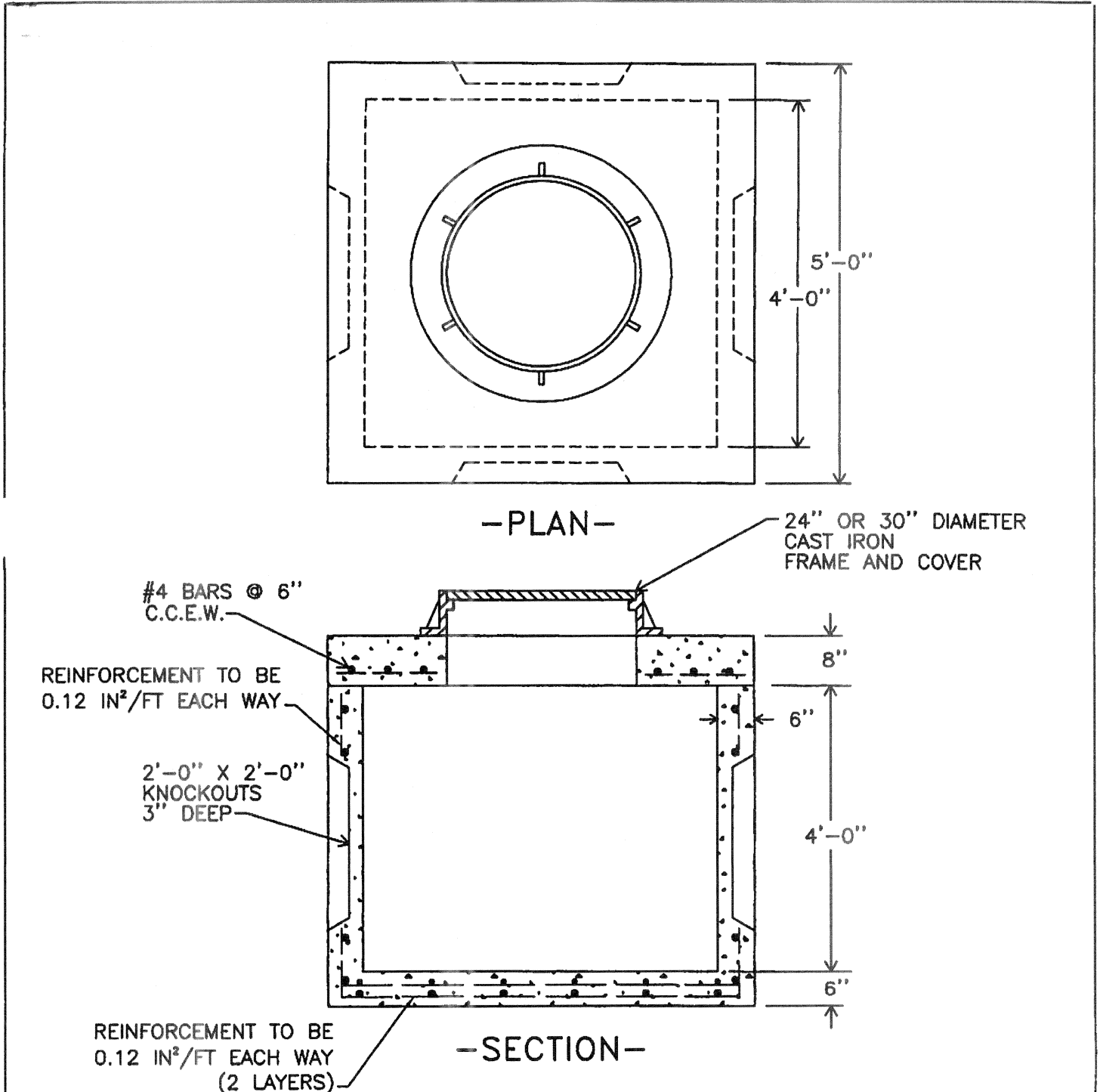
3' X 3' PRECAST CONCRETE HANDHOLE

DWG. E-3



# CHESAPEAKE BAY SEPTIC TANK, LLC

Septic Installers' Local Distributor for Monarch Products Co. Inc.  
Precast Concrete Products



NOTE: PULLING IRONS AVAILABLE IF REQUIRED

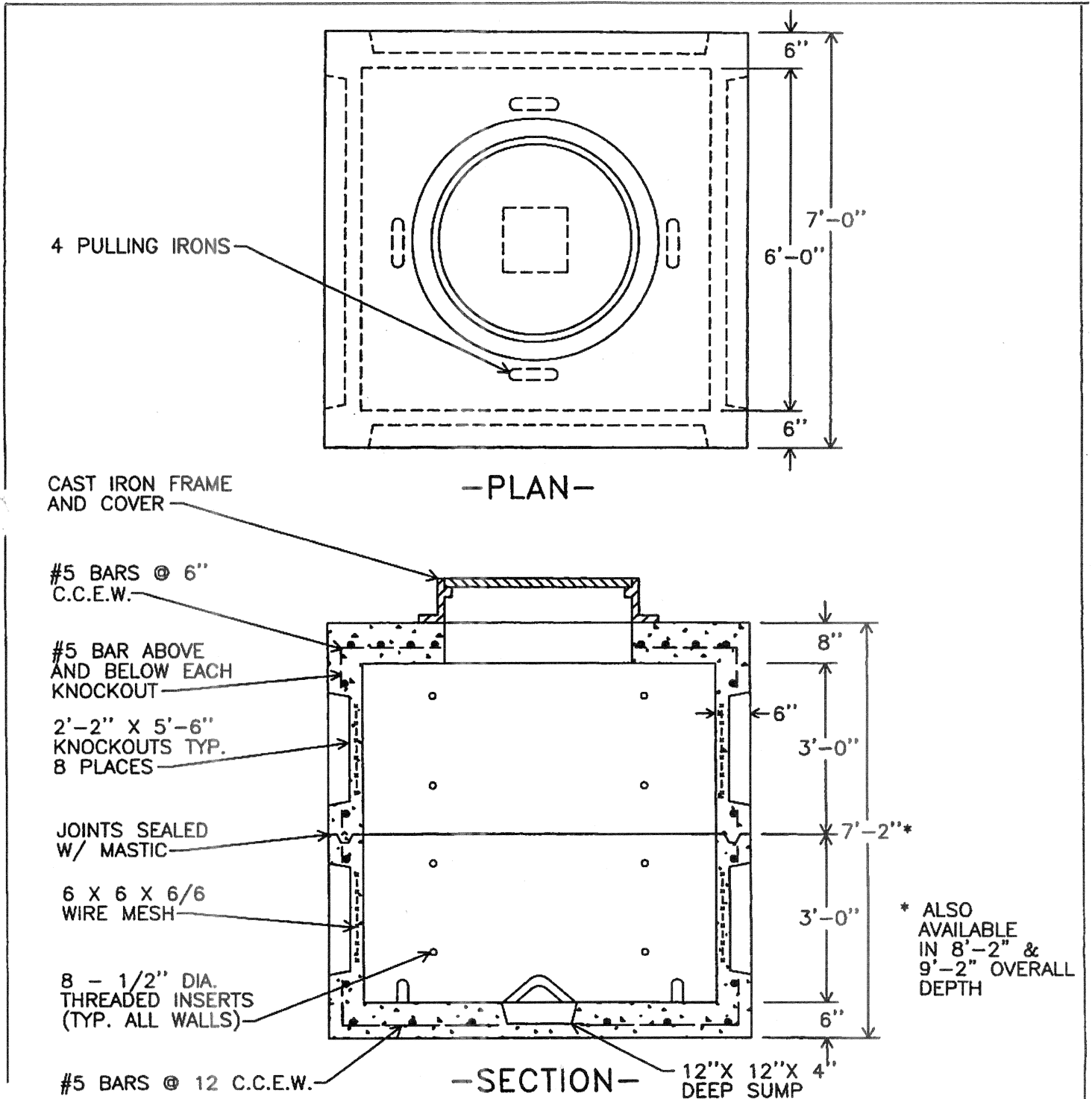
4' X 4' PRECAST CONCRETE MANHOLE

DWG. E-4



# CHESAPEAKE BAY SEPTIC TANK, LLC

Septic Installers' Local Distributor for Monarch Products Co. Inc.  
Precast Concrete Products



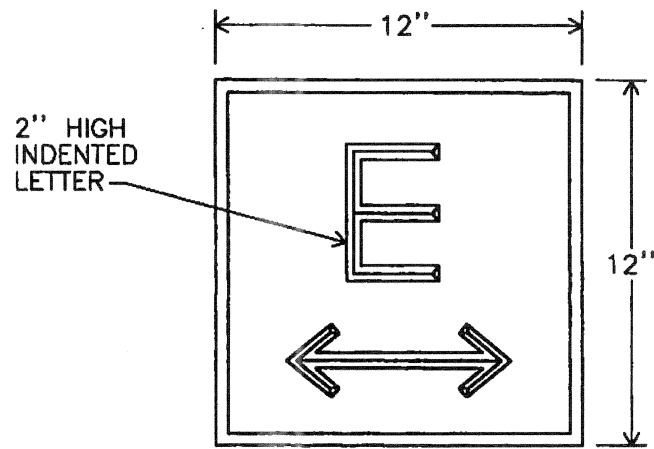
6' X 6' PRECAST CONCRETE MANHOLE

DWG. E-6

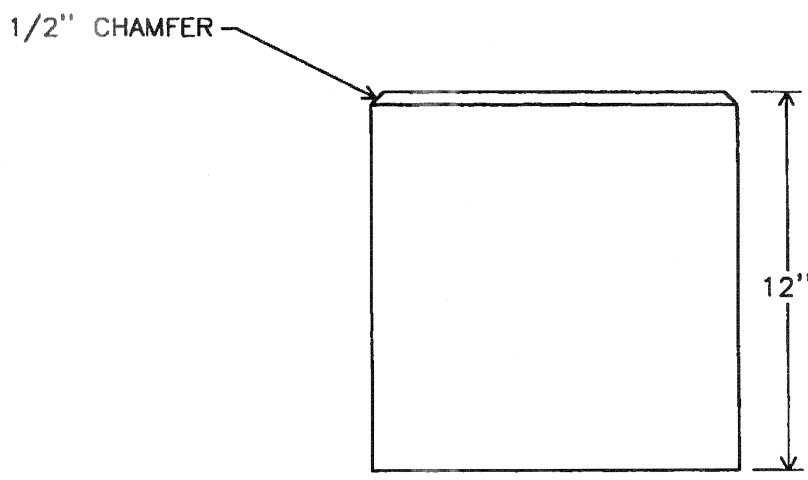


# CHESAPEAKE BAY SEPTIC TANK, LLC

Septic Installers' Local Distributor for Monarch Products Co. Inc.  
Precast Concrete Products



-PLAN-



-SIDE-

12'' X 12'' X 12'' CONCRETE MONUMENT

DWG. E-10