

Septic Tanks

SEPTIC TANKS:

ST-5	500 Gal.
ST5-STGD	500 Gal. - Rectangular
ST-10	1,000 Gal.
ST-2	2-Compartment 1,000 Gal.
ST-12-2	2-Compartment 1,250 Gal.
ST-15-2	2-Compartment 1,500 Gal.
ST-20	2,000 Gal.
ST-2-2000	2-Compartment 2,000 Gal.

HOLDING TANKS:

ST-25	2,500 Gal.
ST-30	3,000 Gal.
ST-40	4,000 GAL. SEPTIC TANK BATTERY w/ 2,000 Gal. Pump Tank

DISTRIBUTION BOXES:

DB-1	w/ Plastic Pipe Seals
DB-2	14 Way

CCT-1 CHLORINE-CONTACT TANK 415 GAL.

FREE-ACCESS SAND FILTERS

SFT-1A	40 s.f. w/ Alum. Access Door
SFT-1B	40 s.f. w/ 2-36" PVC Access Openings
SFT-SPEC	60 s.f.
SFT-2C	60 s.f. w/ 2-36" PVC Access Openings
SFT-80	80 s.f. w/ Alum. Access Doors
SFT-80A	80 s.f. w/ 2-36" PVC Access Openings

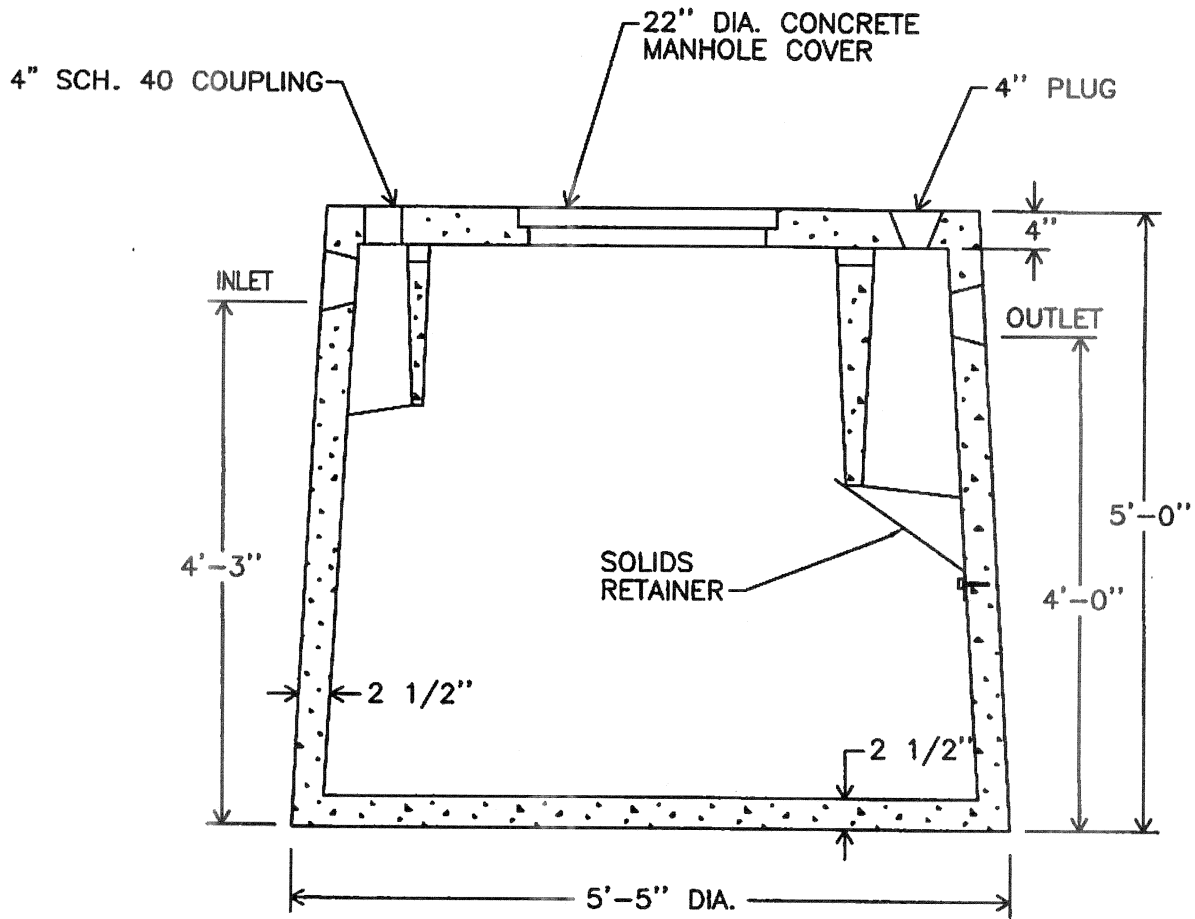
JET PRE-TREATMENT

J-500	500 GPD Aerobic Treatment Plant
STRMDIS1-C	Stream Discharge System



CHESAPEAKE BAY SEPTIC TANK, LLC

Septic Installers' Local Distributor for Monarch Products Co. Inc.
Precast Concrete Products



-SECTION ELEVATION-

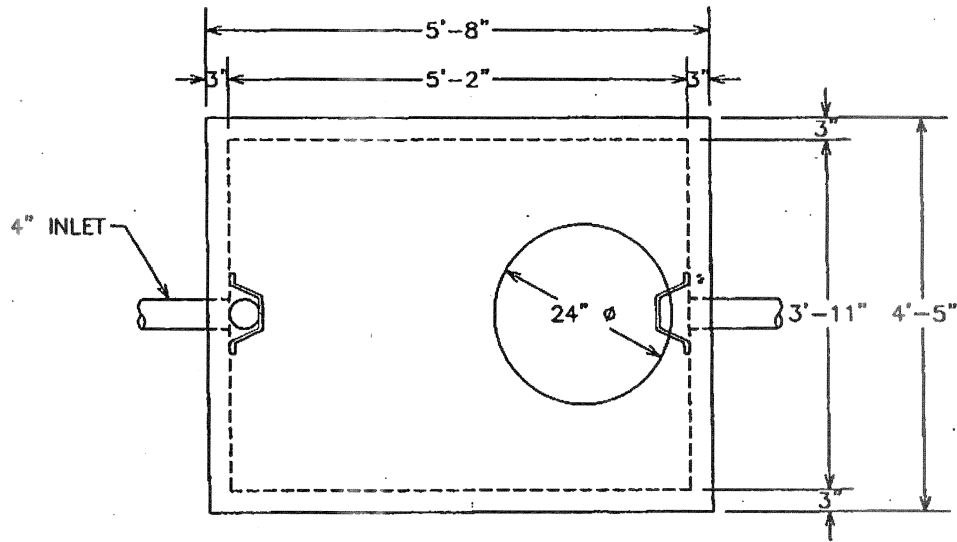
PRECAST SEPTIC TANK
500 GALLON CAPACITY

DWG. ST-5

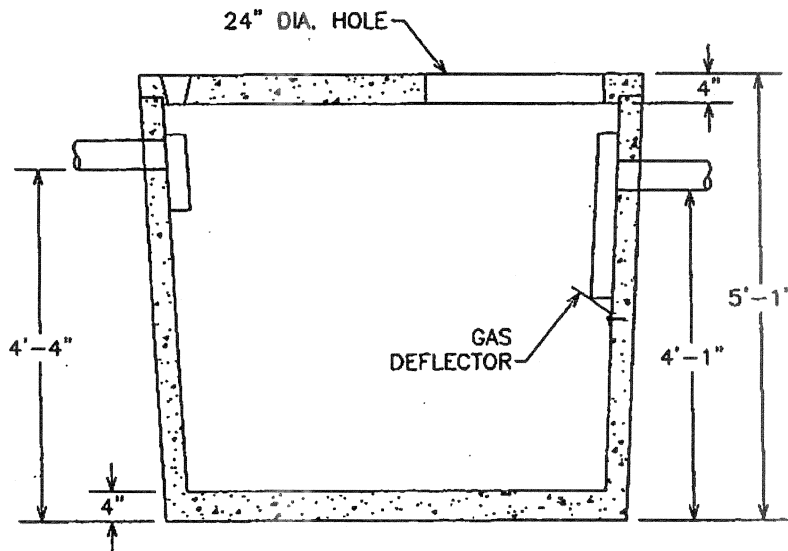


CHESAPEAKE BAY SEPTIC TANK, LLC

Septic Installers' Local Distributor for Monarch Products Co. Inc.
Precast Concrete Products



-PLAN-



-SECTION-

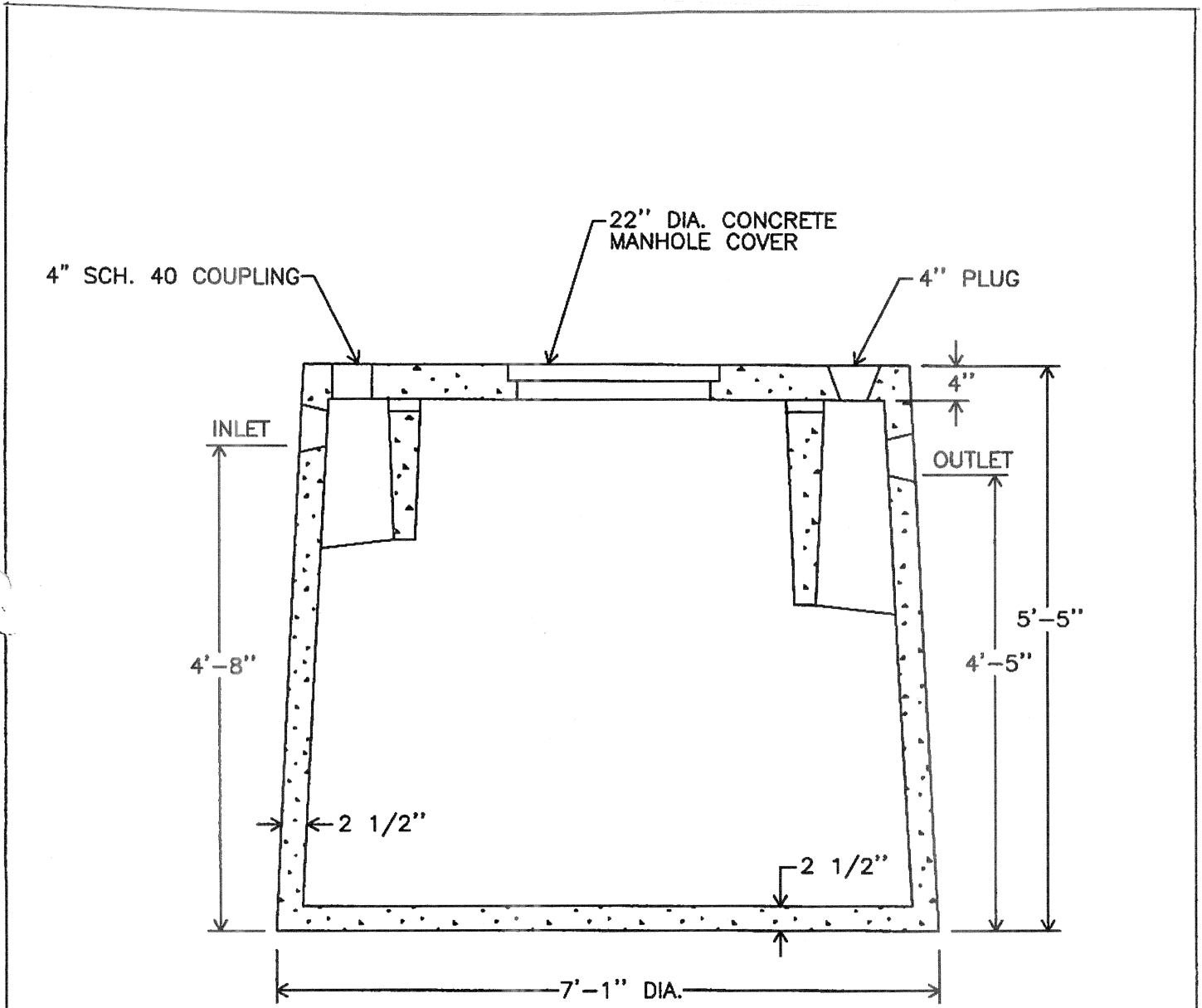
500 GALLON
RECTANGULAR SEPTIC TANK

DWG. ST5-STGD



CHESAPEAKE BAY SEPTIC TANK, LLC

Septic Installers' Local Distributor for Monarch Products Co. Inc.
Precast Concrete Products



-SECTION ELEVATION-

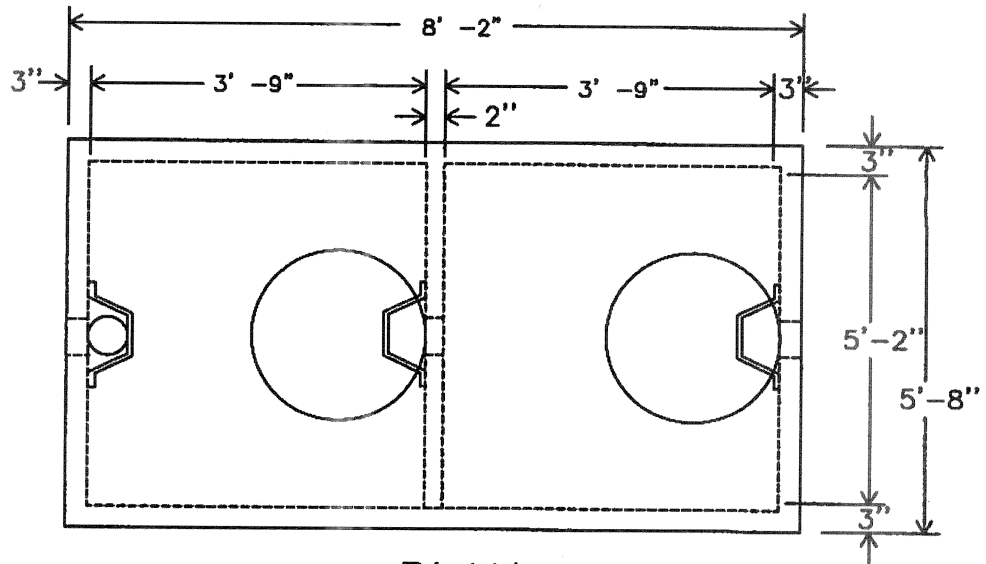
PRECAST SEPTIC TANK
1000 GALLON CAPACITY

DWG. ST-10

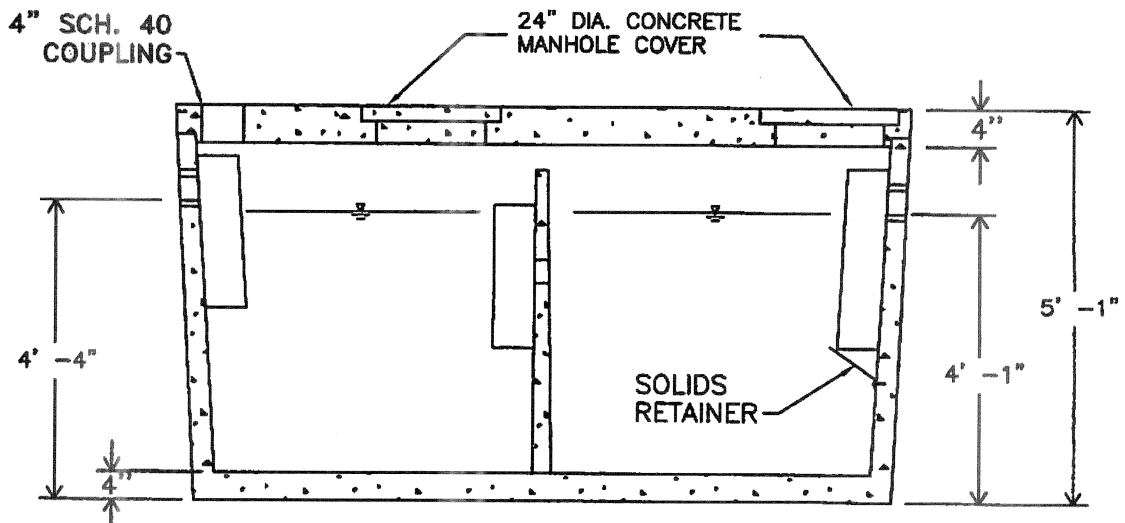


CHESAPEAKE BAY SEPTIC TANK, LLC

Septic Installers' Local Distributor for Monarch Products Co. Inc.
Precast Concrete Products



-PLAN-



-SECTION-

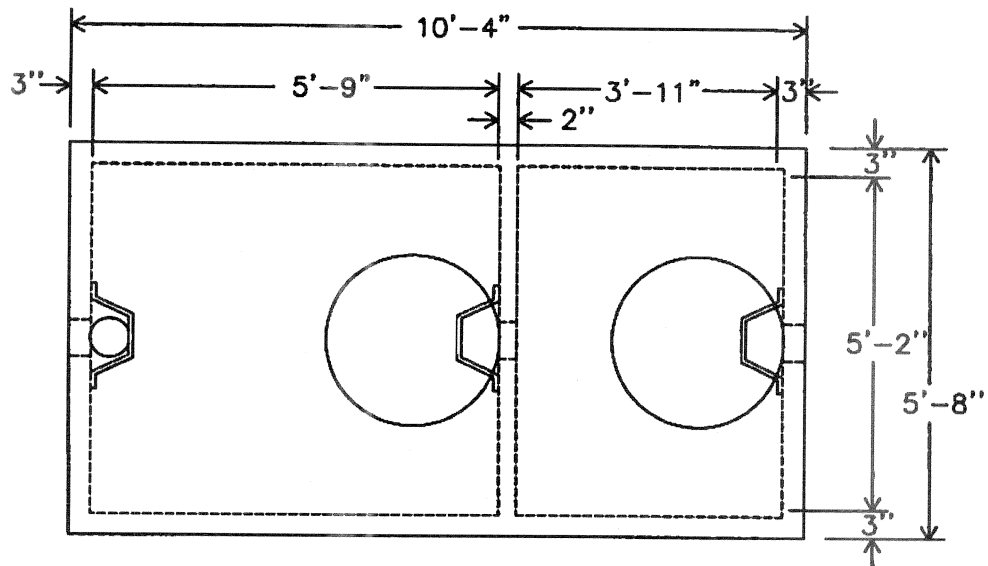
PRECAST 2 COMPARTMENT SEPTIC TANK
1000 GALLON CAPACITY

DWG. ST 10-2

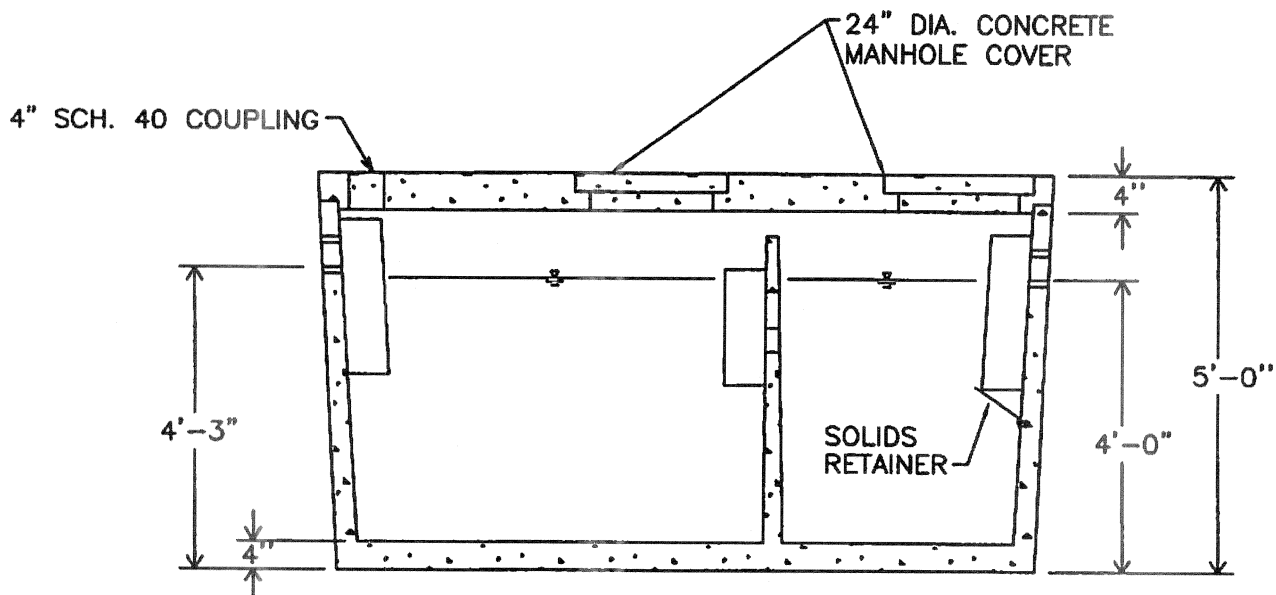


CHESAPEAKE BAY SEPTIC TANK, LLC

Septic Installers' Local Distributor for Monarch Products Co. Inc.
Precast Concrete Products



-PLAN-



-SECTION-

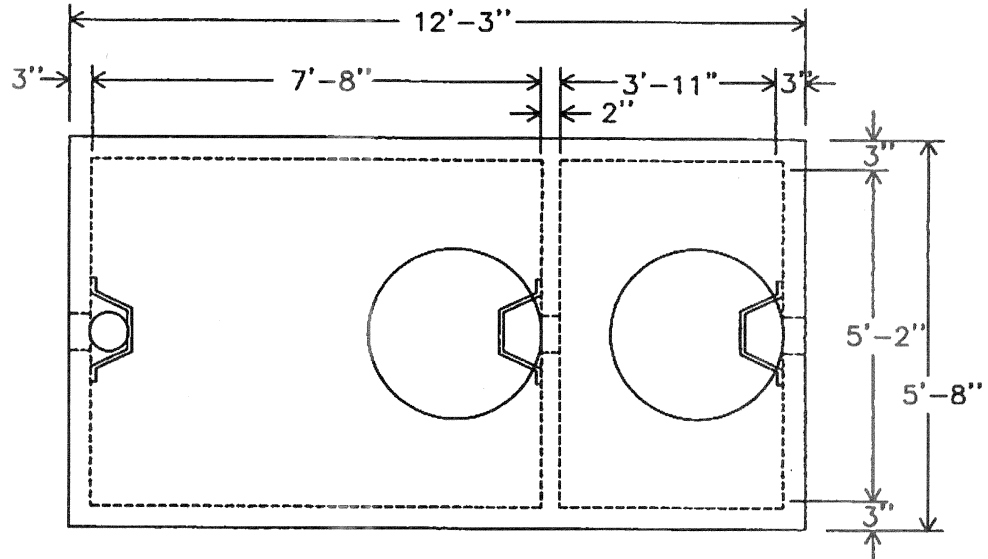
PRECAST 2 COMPARTMENT SEPTIC TANK
1250 GALLON CAPACITY

DWG. ST-12-2

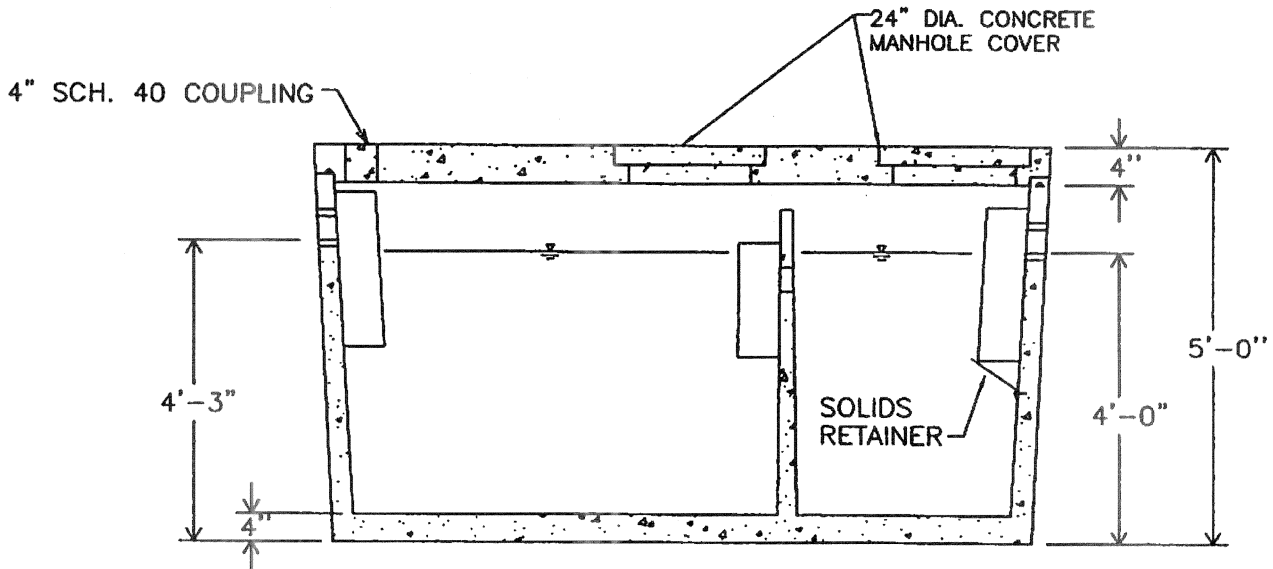


CHESAPEAKE BAY SEPTIC TANK, LLC

Septic Installers' Local Distributor for Monarch Products Co. Inc.
Precast Concrete Products



-PLAN-



-SECTION-

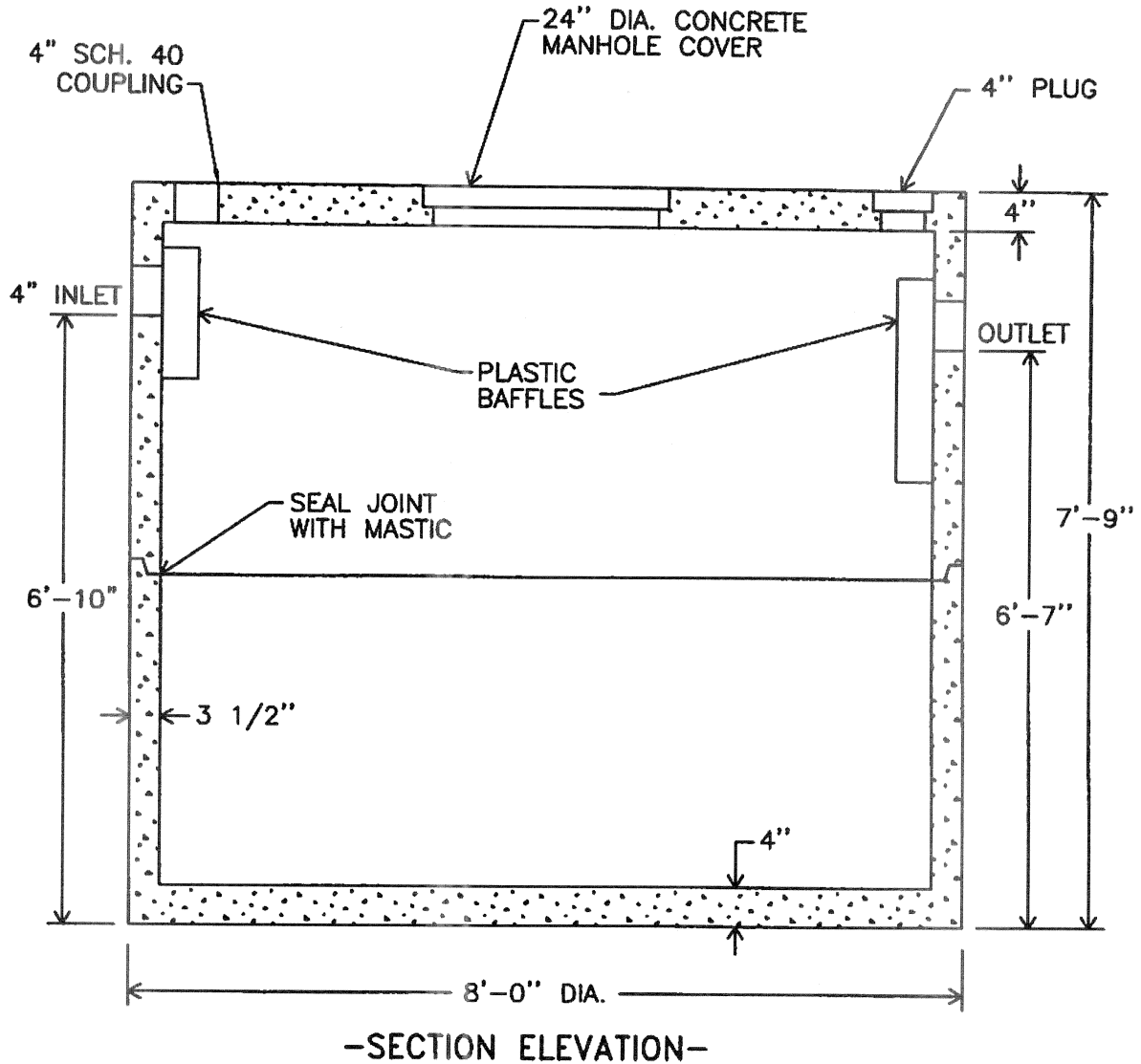
PRECAST 2 COMPARTMENT SEPTIC TANK
1500 GALLON CAPACITY

DWG. ST-15-2



CHESAPEAKE BAY SEPTIC TANK, LLC

Septic Installers' Local Distributor for Monarch Products Co. Inc.
Precast Concrete Products



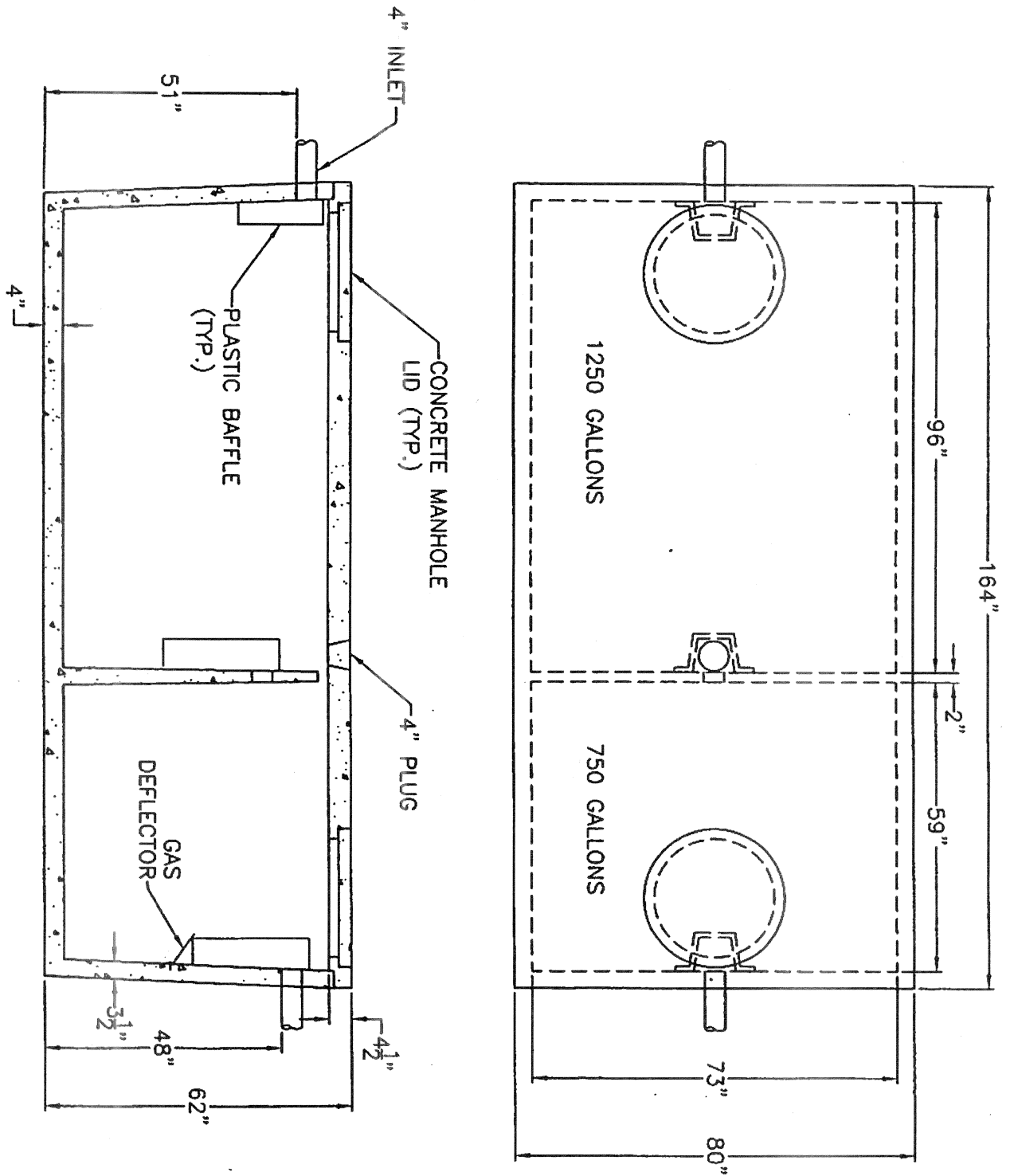
PRECAST SEPTIC TANK
2000 GALLON CAPACITY

DWG. ST-20



CHESAPEAKE BAY SEPTIC TANK, LLC

Septic Installers' Local Distributor for Monarch Products Co. Inc.
Precast Concrete Products



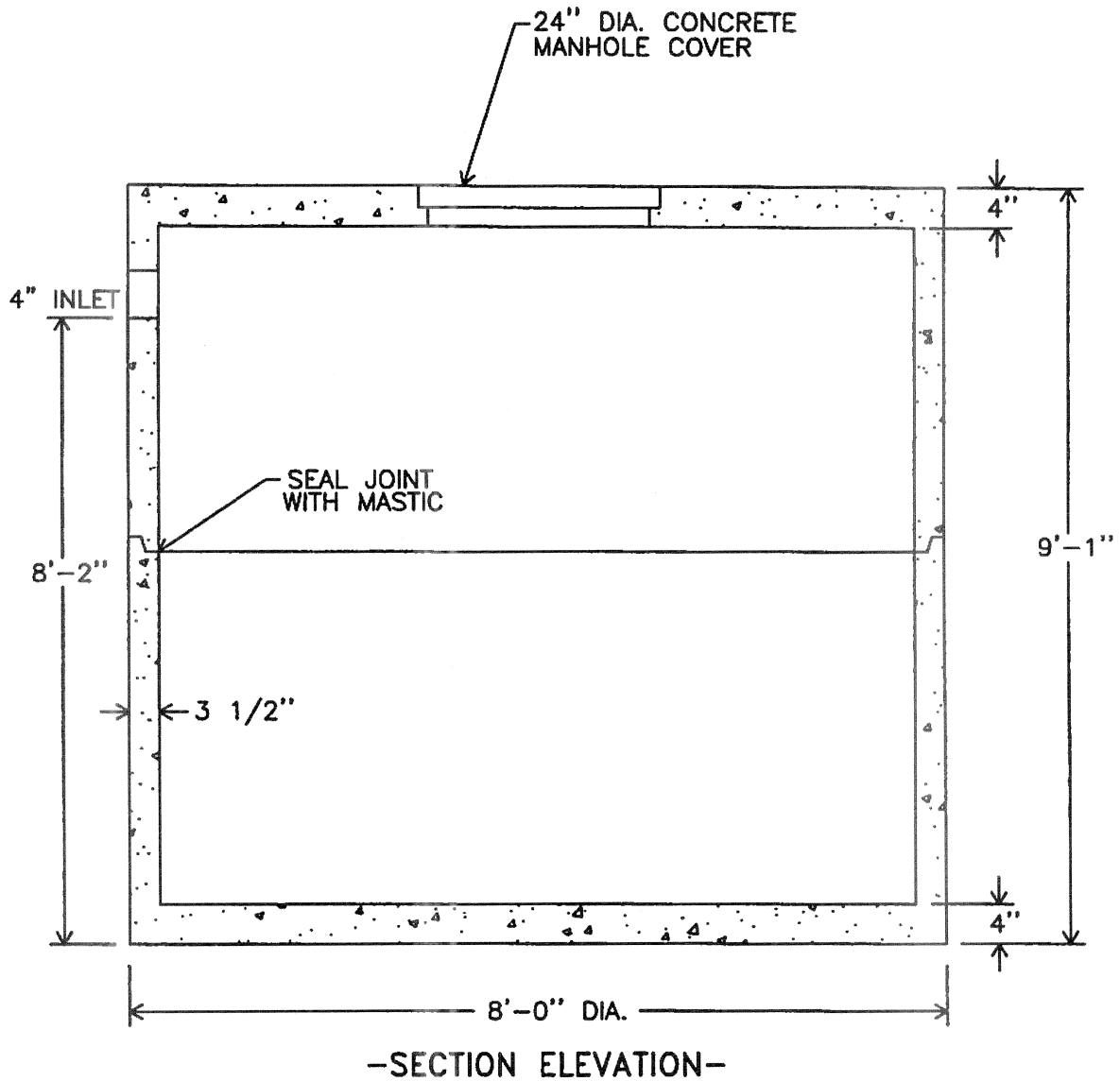
PRECAST CONCRETE 2-COMPARTMENT
SEPTIC TANK, 2000 GALLON CAPACITY

DRWN. BY:	JTB	SCALE:	NTS	DWG. NO.:	ST-2-2000
CHK. BY:	JW	DATE:	10/28/03	CAD NO.:	2000.DWG



CHESAPEAKE BAY SEPTIC TANK, LLC

Septic Installers' Local Distributor for Monarch Products Co. Inc.
Precast Concrete Products



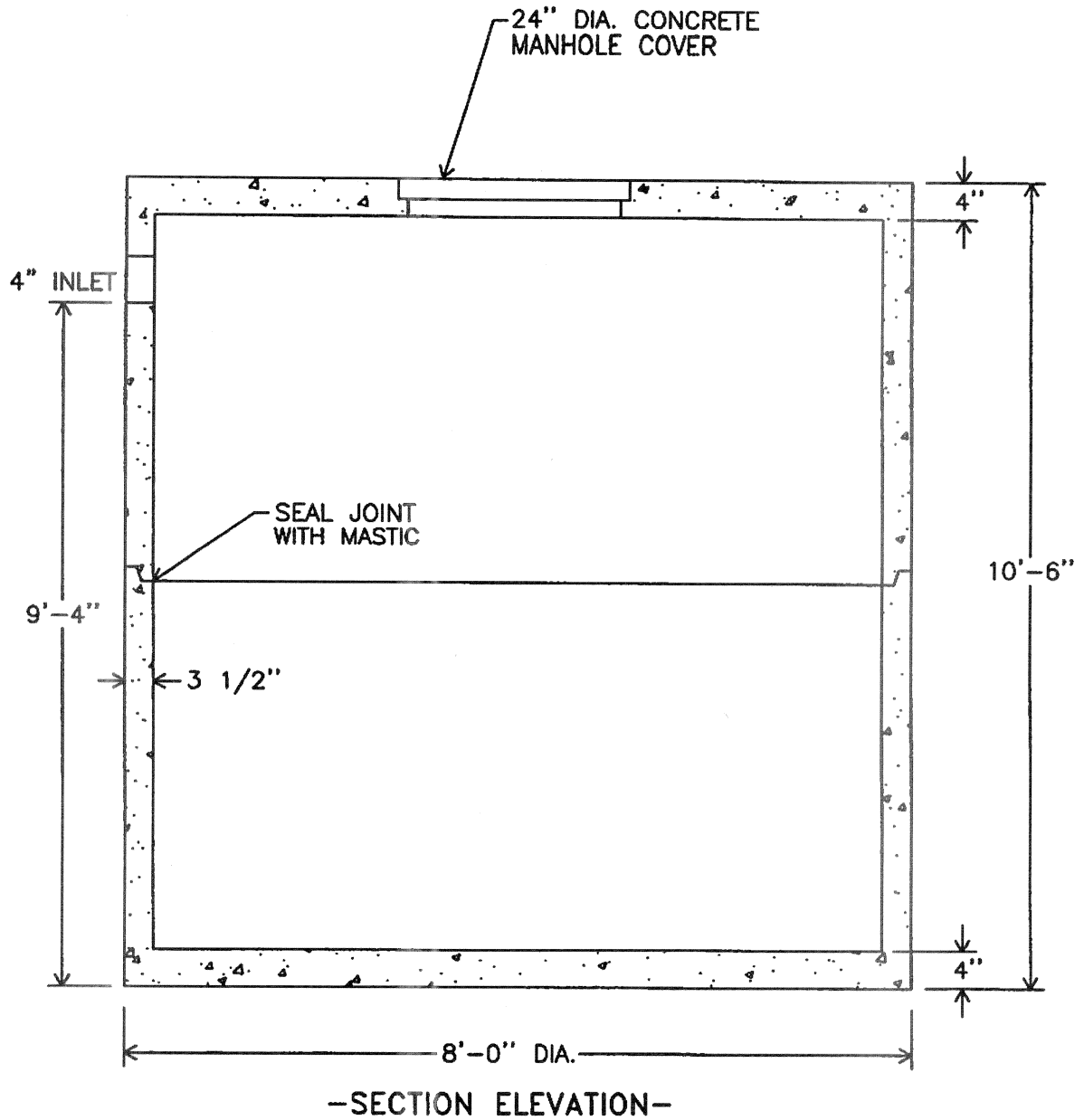
PRECAST HOLDING TANK
2500 GALLON CAPACITY

DWG. ST-25



CHESAPEAKE BAY SEPTIC TANK, LLC

Septic Installers' Local Distributor for Monarch Products Co. Inc.
Precast Concrete Products



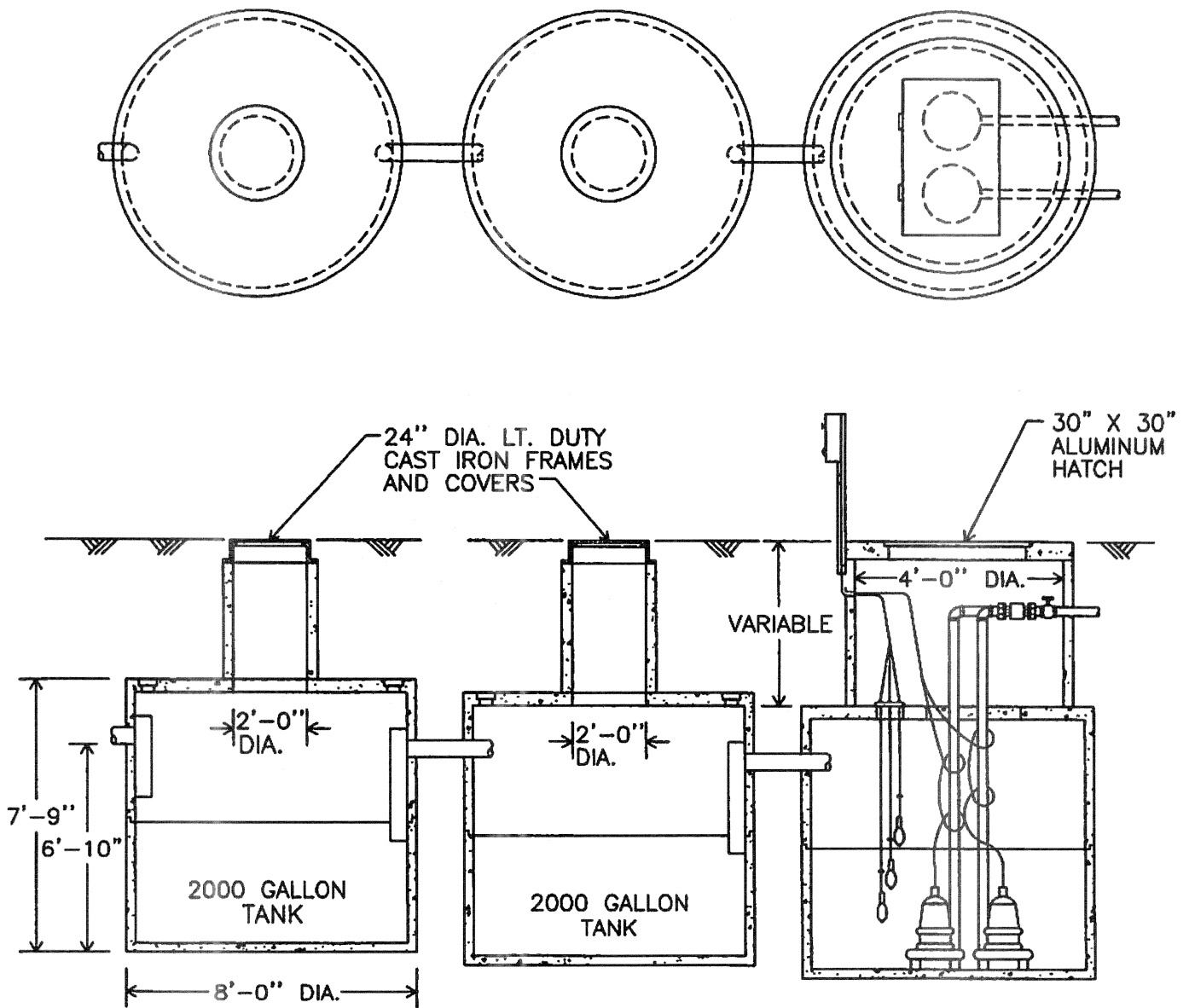
PRECAST HOLDING TANK
3000 GALLON CAPACITY

DWG. ST-30



CHESAPEAKE BAY SEPTIC TANK, LLC

Septic Installers' Local Distributor for Monarch Products Co. Inc.
Precast Concrete Products



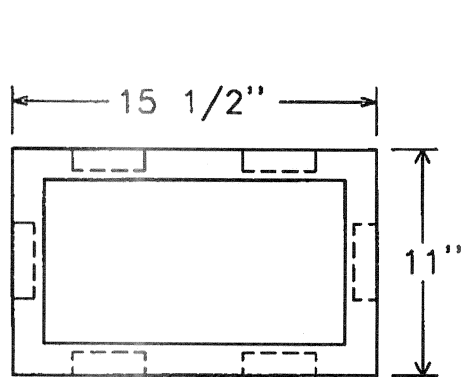
4000 GALLON SEPTIC TANK BATTERY
WITH 2000 GALLON PUMP TANK

DWG. ST-40

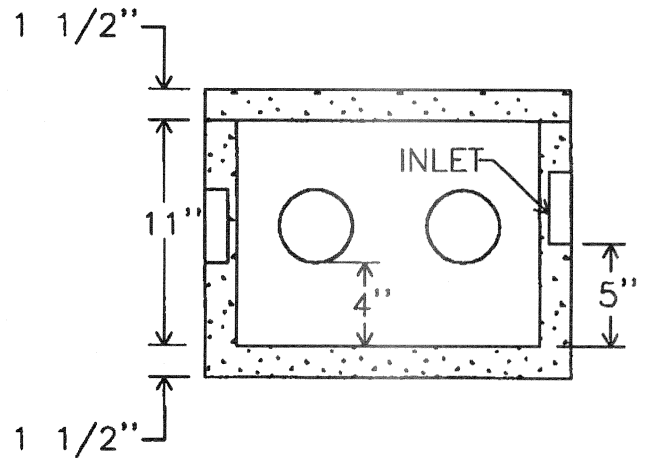


CHESAPEAKE BAY SEPTIC TANK, LLC

Septic Installers' Local Distributor for Monarch Products Co. Inc.
Precast Concrete Products

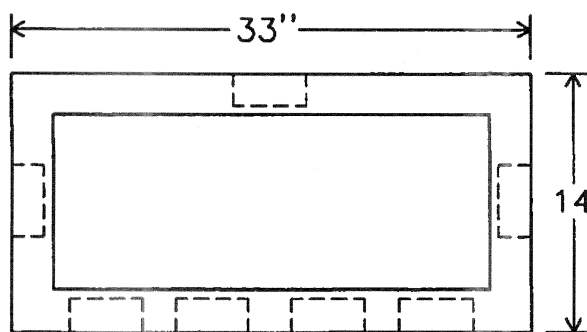


-PLAN-

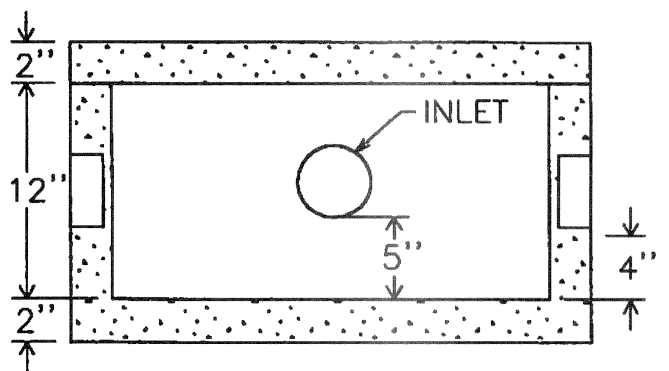


-SECTION-

5 WAY D-BOX



-PLAN-



-SECTION-

7 WAY D-BOX

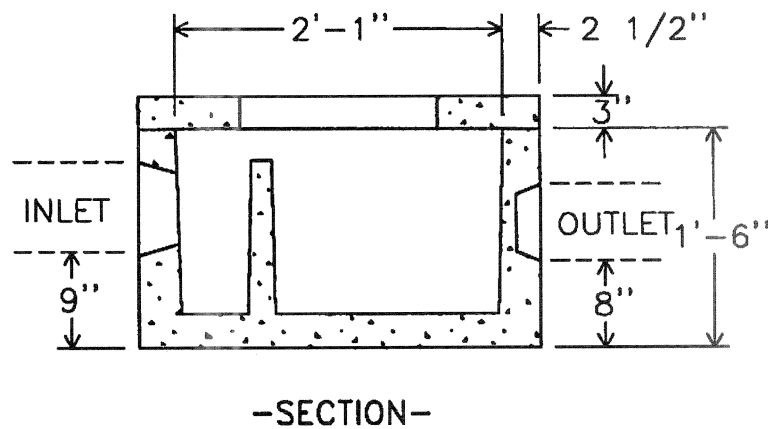
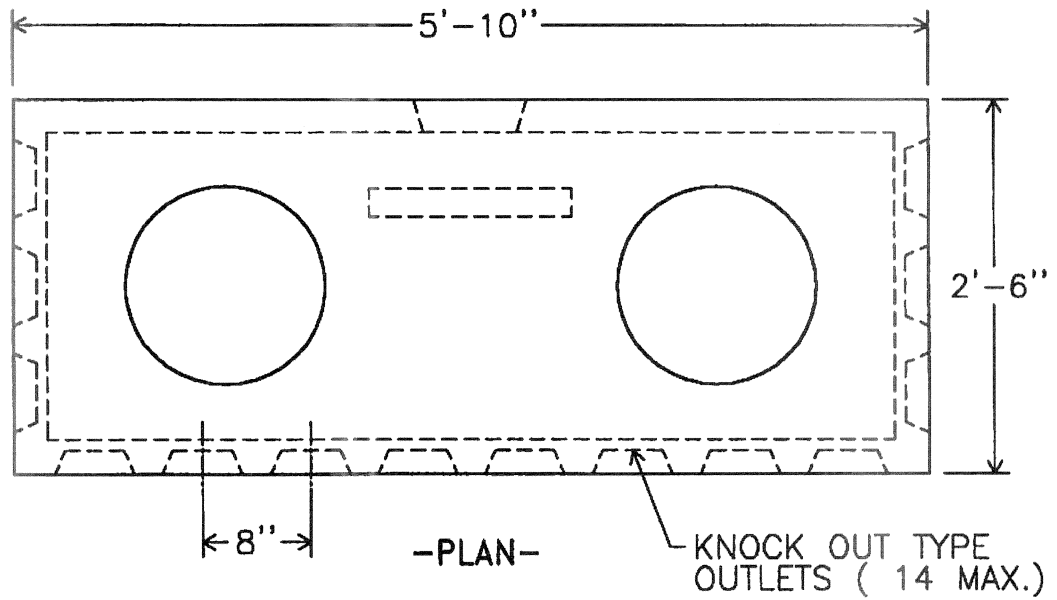
DISTRIBUTION BOXES
WITH PLASTIC PIPE SEALS

DWG. DB-1



CHESAPEAKE BAY SEPTIC TANK, LLC

Septic Installers' Local Distributor for Monarch Products Co. Inc.
Precast Concrete Products



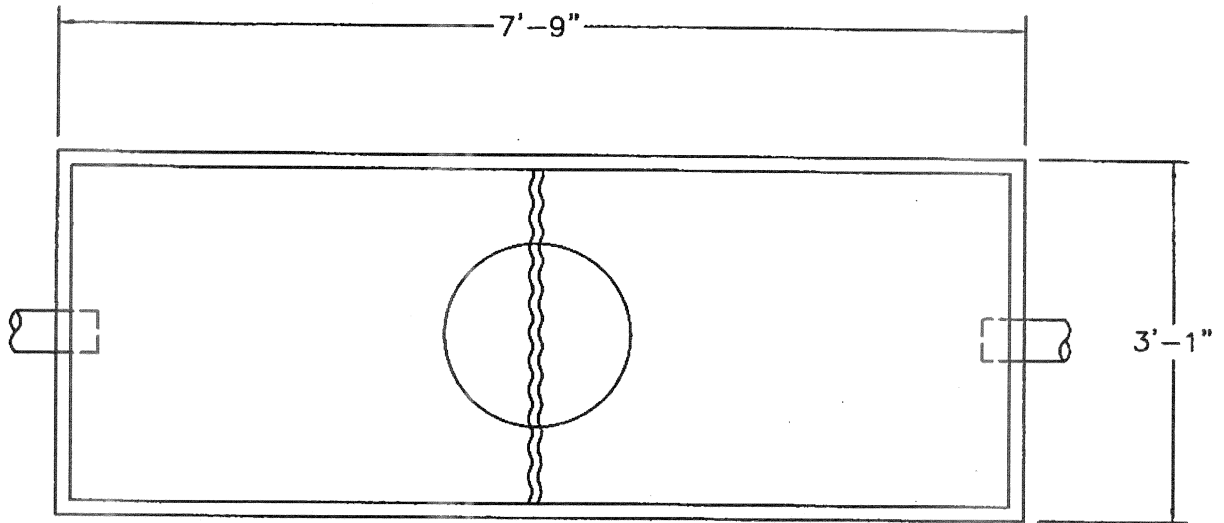
DISTRIBUTION BOX 14 WAY

DWG. DB-2

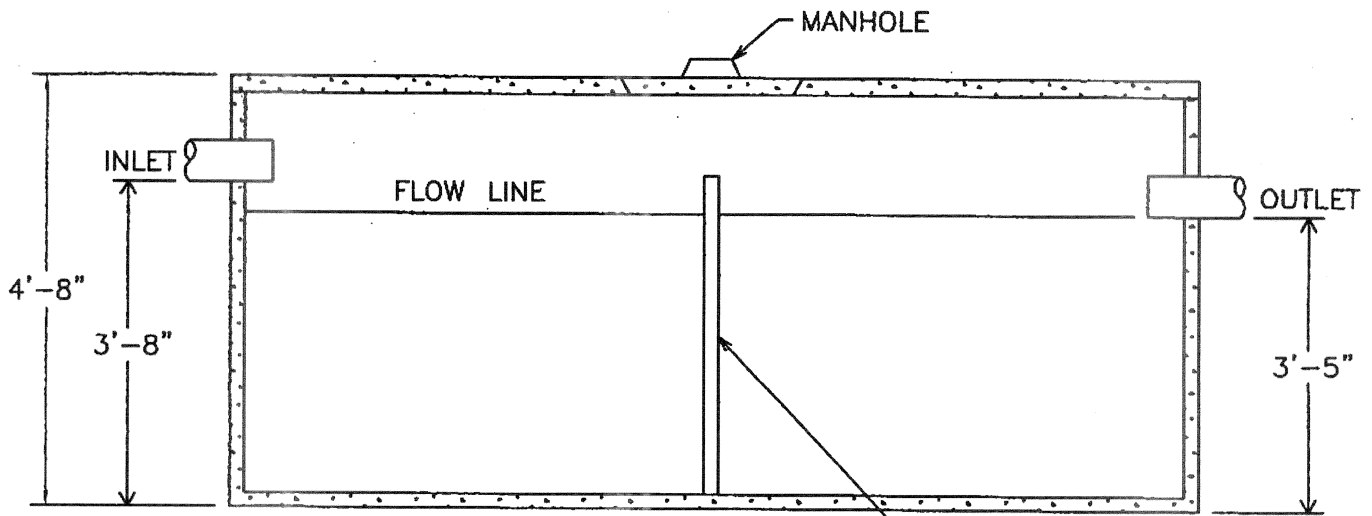


CHESAPEAKE BAY SEPTIC TANK, LLC

Septic Installers' Local Distributor for Monarch Products Co. Inc.
Precast Concrete Products



-PLAN-



-SECTION-

CORRUGATED
PLASTIC BAFFLE

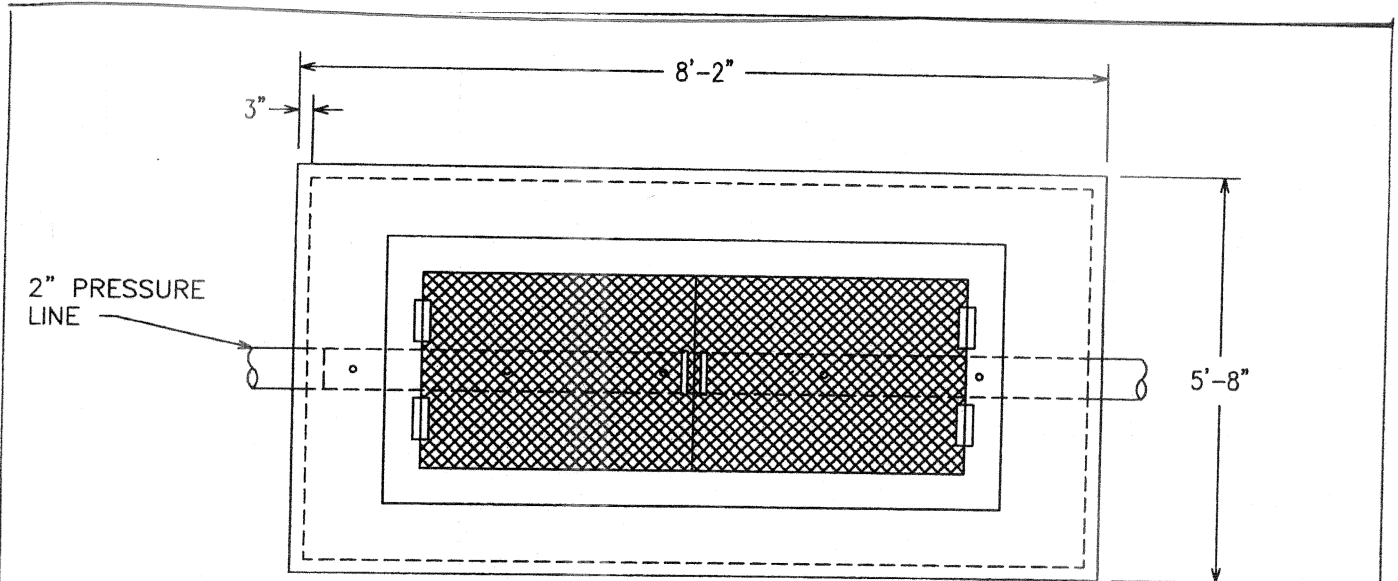
CHLORINE CONTACT TANK
415 GALLON CAPACITY

DWG. CCT-1

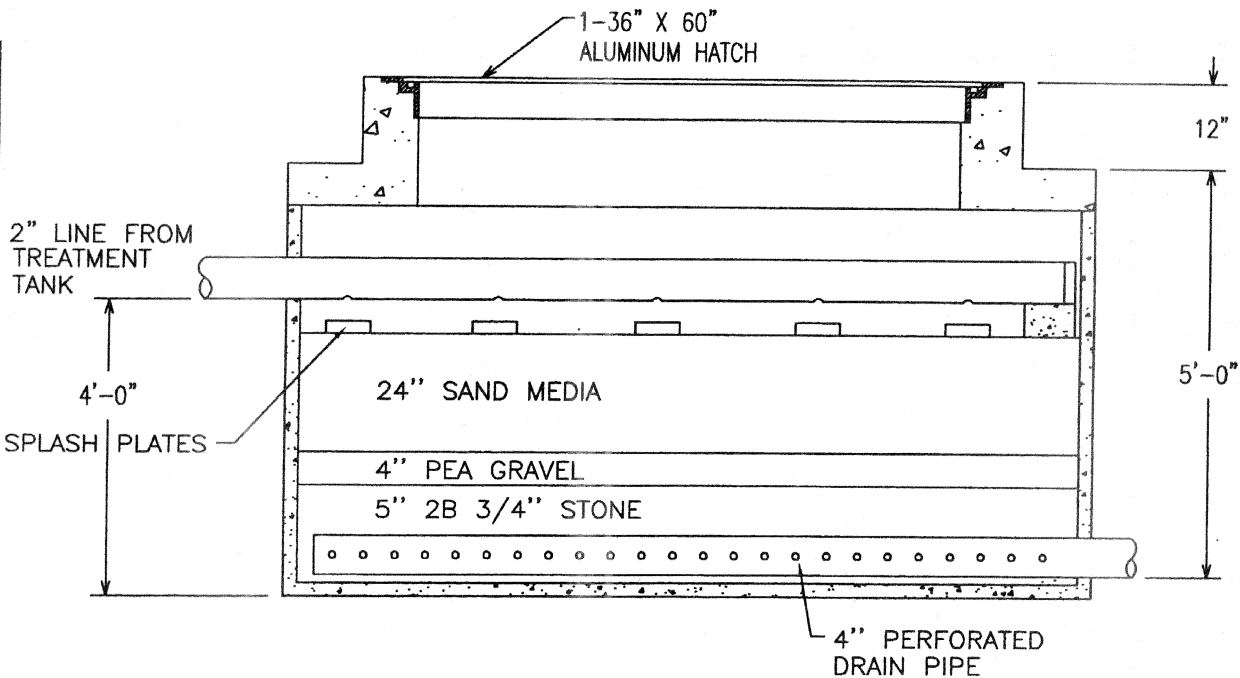


CHESAPEAKE BAY SEPTIC TANK, LLC

Septic Installers' Local Distributor for Monarch Products Co. Inc.
Precast Concrete Products



-PLAN-



-SECTION-

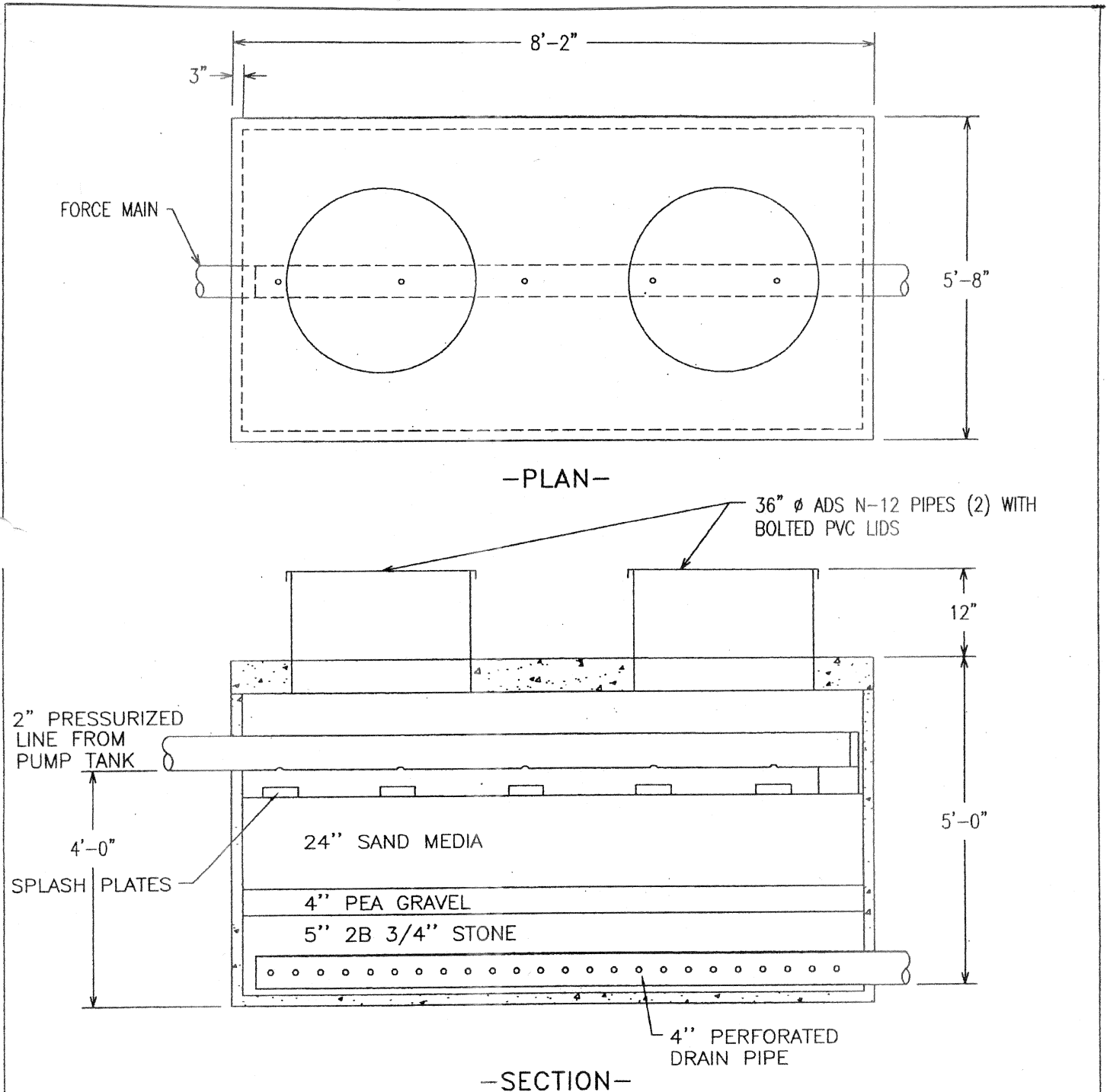
FREE ACCESS SAND FILTER
40 SQUARE FEET W/ ALUM. ACCESS DOOR

DWG. SFT-1A



CHESAPEAKE BAY SEPTIC TANK, LLC

Septic Installers' Local Distributor for Monarch Products Co. Inc.
Precast Concrete Products



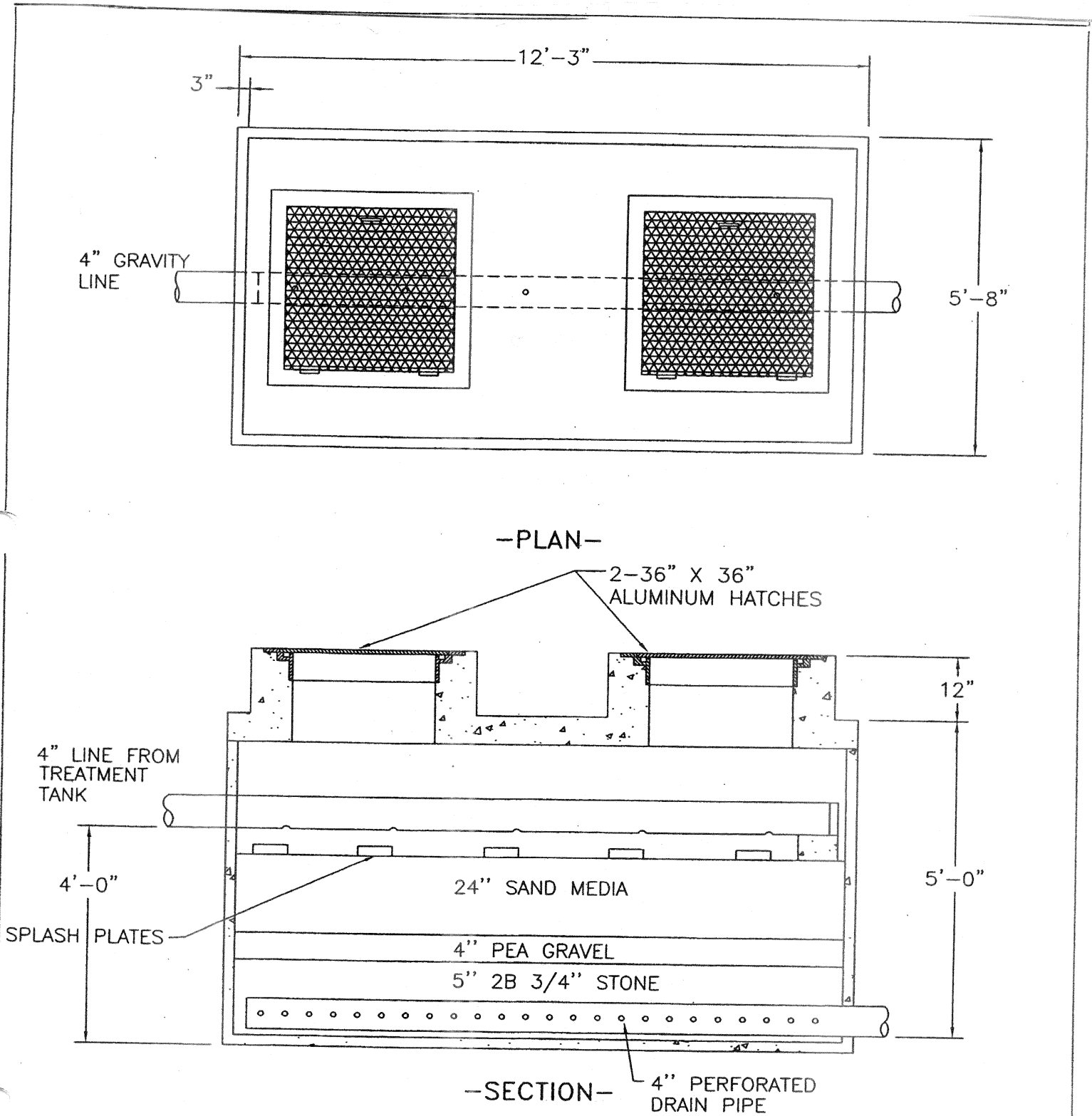
FREE ACCESS SAND FILTER 40 SQUARE FEET W/ 2-36" ϕ PVC ACCESS OPENINGS

DWG. SFT-1B



CHESAPEAKE BAY SEPTIC TANK, LLC

Septic Installers' Local Distributor for Monarch Products Co. Inc.
Precast Concrete Products



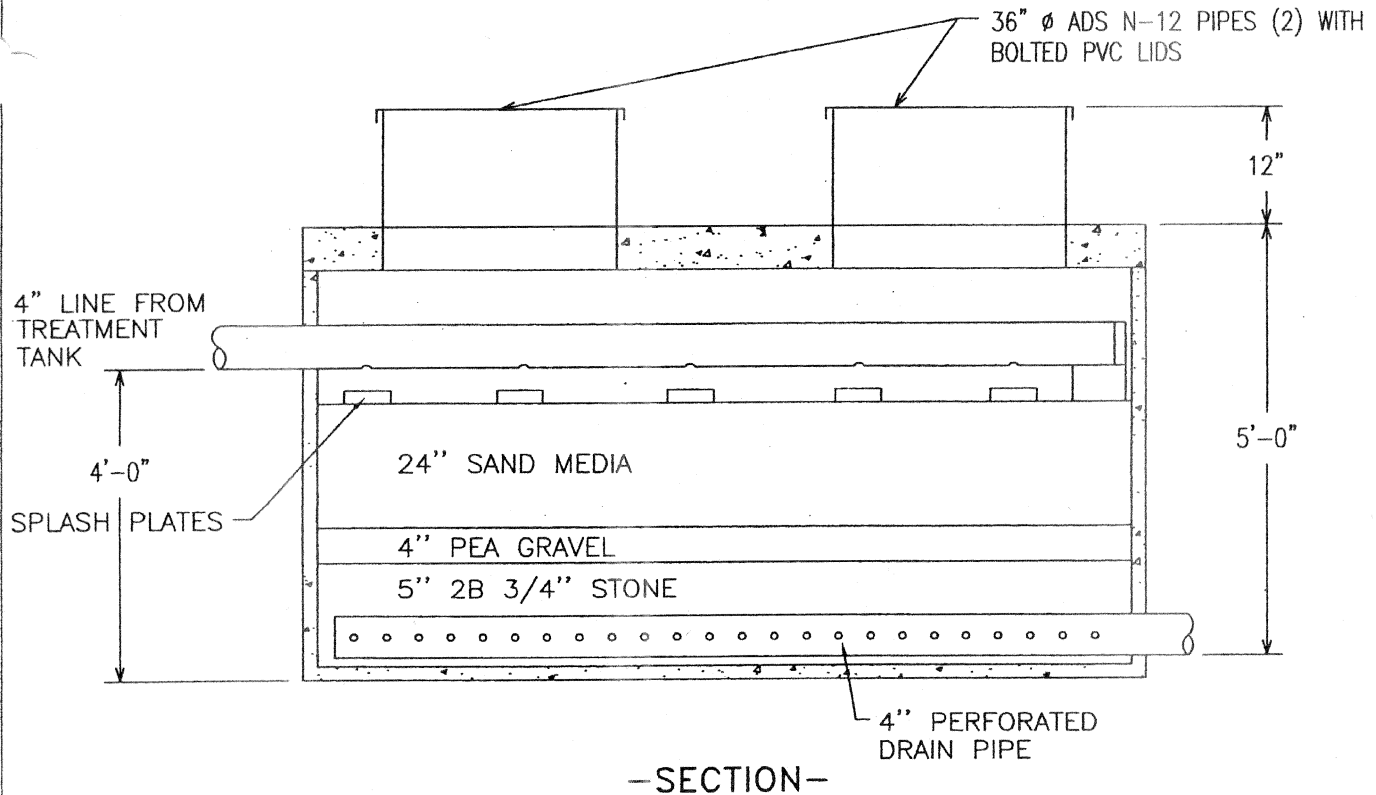
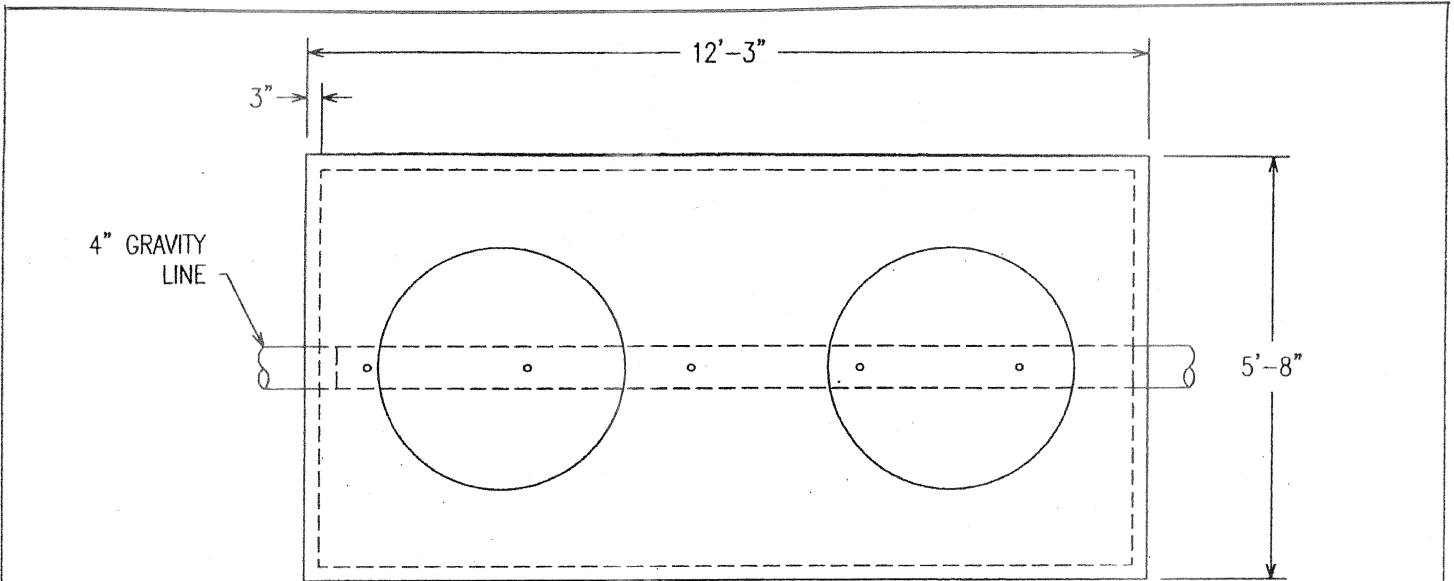
FREE ACCESS SAND FILTER
60 SQUARE FEET

DWG. SFT-SPEC



CHESAPEAKE BAY SEPTIC TANK, LLC

Septic Installers' Local Distributor for Monarch Products Co. Inc.
Precast Concrete Products



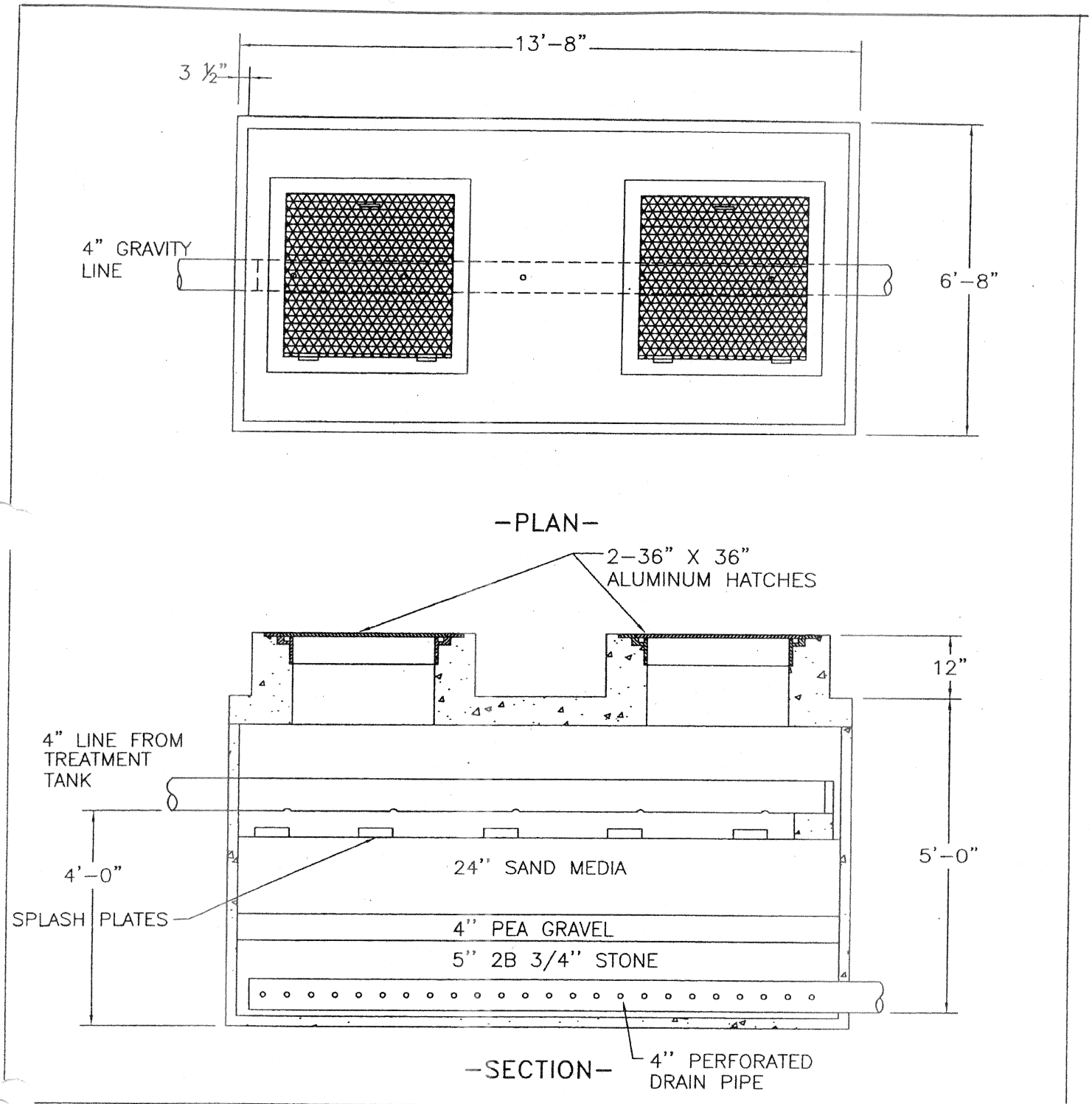
FREE ACCESS SAND FILTER 60 SQUARE FEET W/ 2-36" ϕ PVC ACCESS OPENINGS

DWG. SFT-2C



CHESAPEAKE BAY SEPTIC TANK, LLC

Septic Installers' Local Distributor for Monarch Products Co. Inc.
Precast Concrete Products



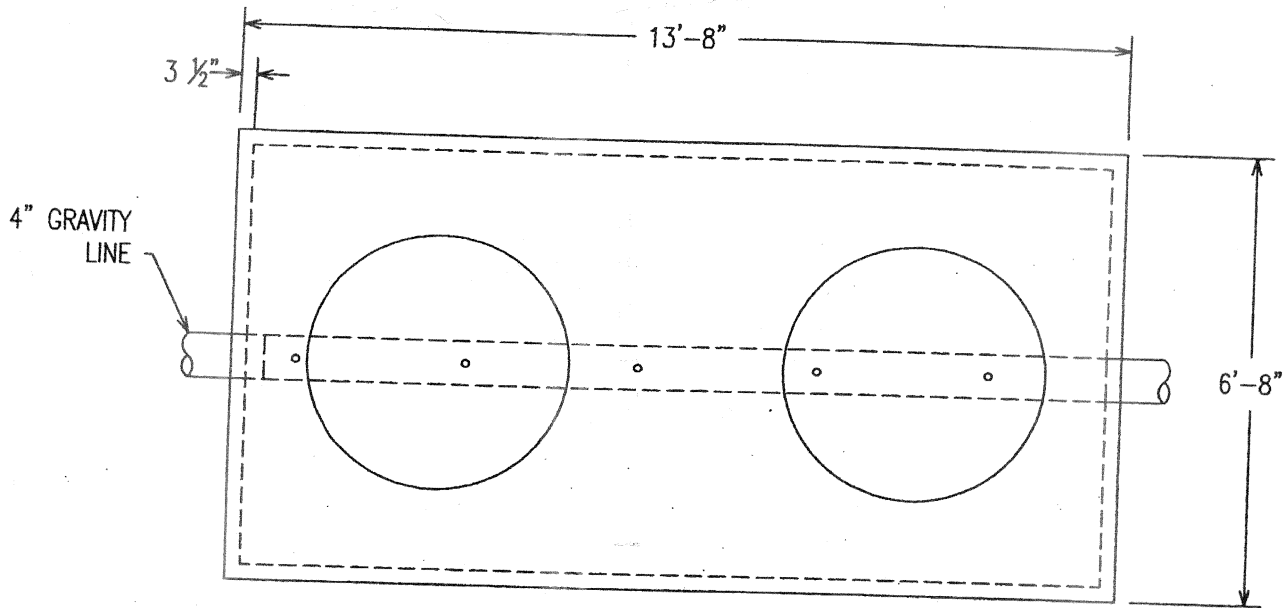
80 SQUARE FEET FREE ACCESS SAND
FILTER W/ ALUM. ACCESS DOORS

DWG. SFT-80

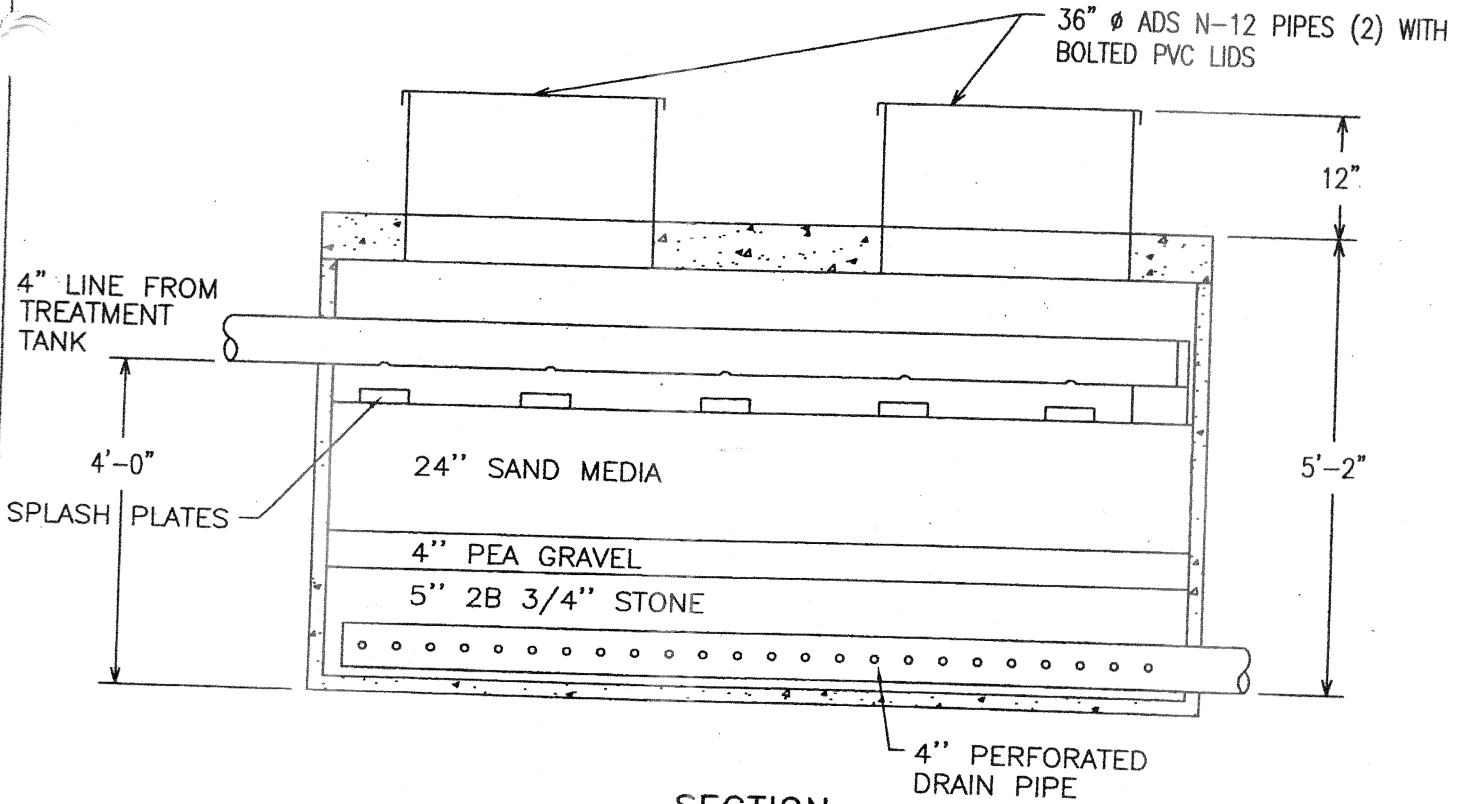


CHESAPEAKE BAY SEPTIC TANK, LLC

Septic Installers' Local Distributor for Monarch Products Co. Inc.
Precast Concrete Products



-PLAN-



-SECTION-

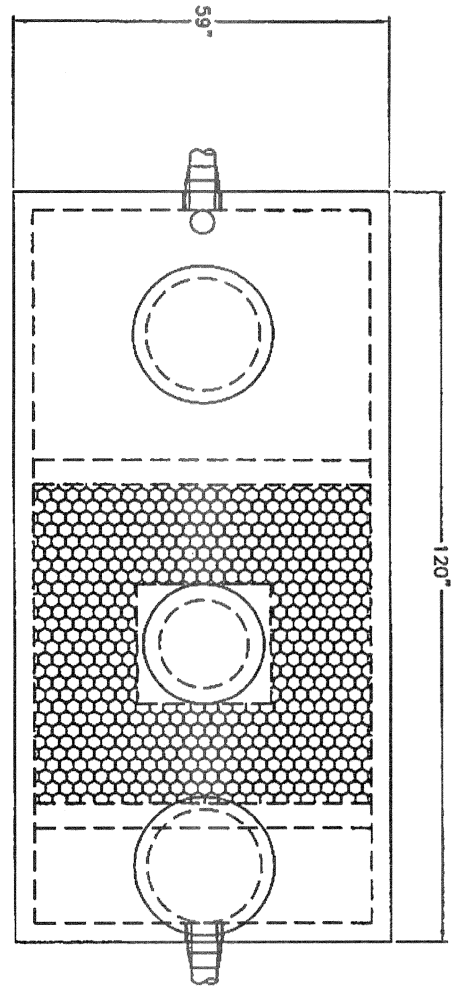
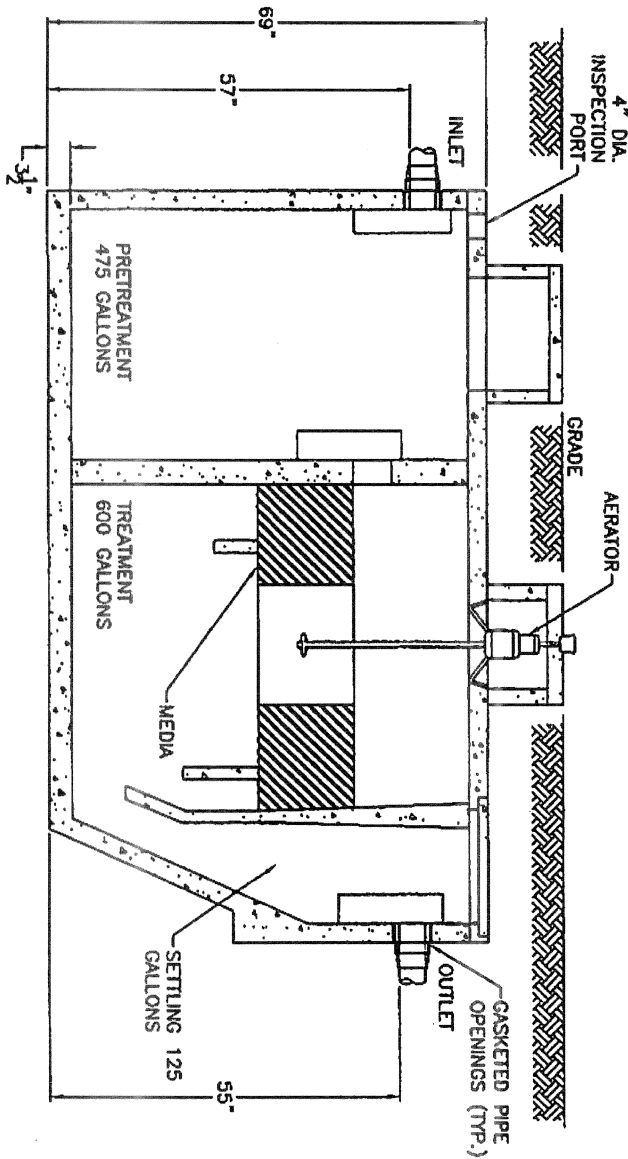
FREE ACCESS SAND FILTER 80 SQUARE
FEET W/ 2-36" Ø PVC ACCESS OPENINGS

DWG. SFT-80A



CHESAPEAKE BAY SEPTIC TANK, LLC

Septic Installers' Local Distributor for Monarch Products Co. Inc.
Precast Concrete Products



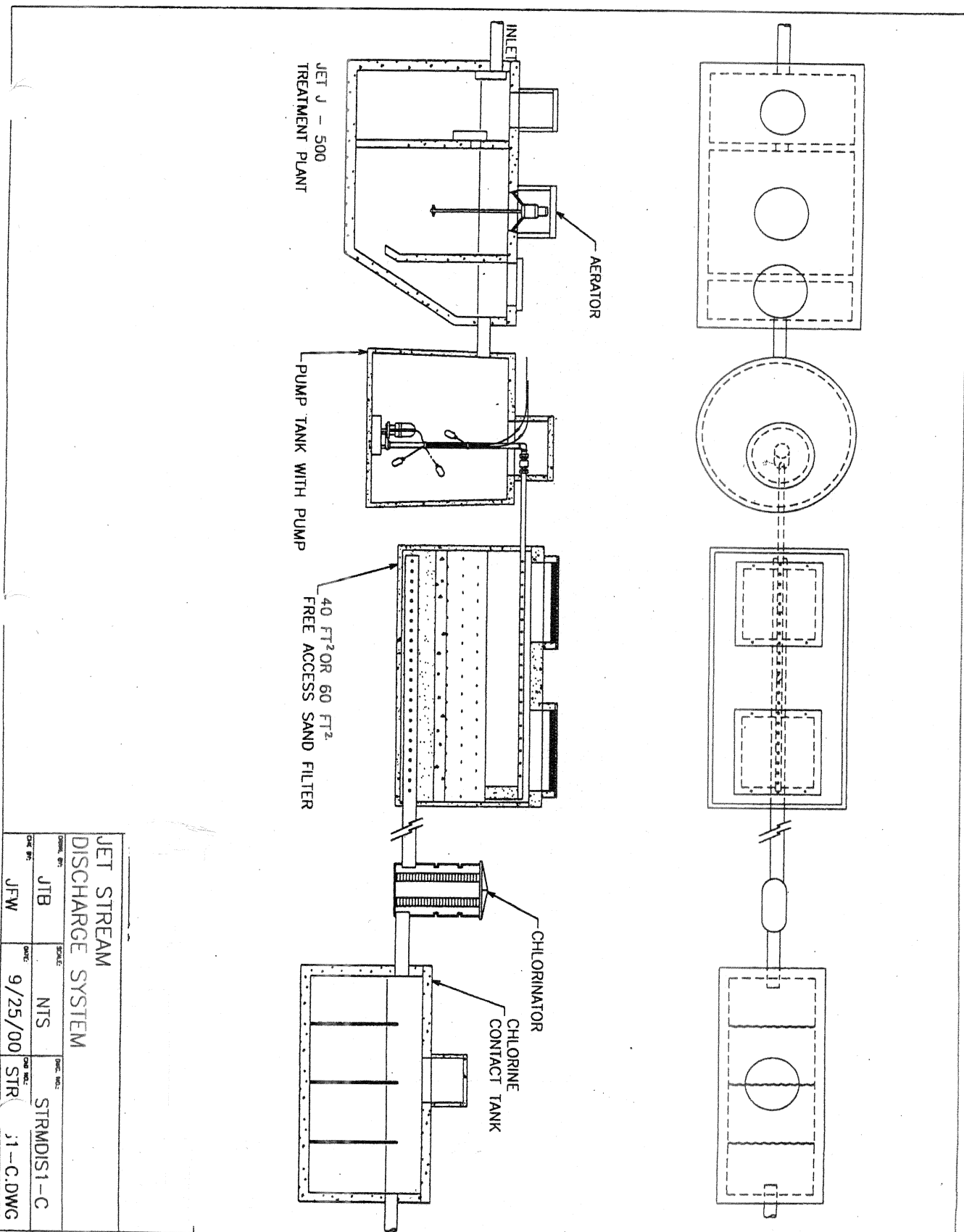
JET J-500
500 GPD AEROBIC TREATMENT PLANT

DRWN. BY:	JTB	SCALE:	NTS	DWG. NO.:	J-500
CHK. BY:	JFW	DATE:	4/2/03	CAD. NO.:	J-500.DWG



CHESAPEAKE BAY SEPTIC TANK, LLC

Septic Installers' Local Distributor for Monarch Products Co. Inc.
Precast Concrete Products



JET STREAM DISCHARGE SYSTEM	
DRWG. NO.	SCALE
JTB	NIS
DATE	DATE
JFW	9/25/00
DRWG. NO.	SCALE
STR	STR
DATE	DATE
J1-C.DWG	J1-C.DWG