

## Inlets & Catch Basins

### INLETS

MD-374.21	WR Curb Head
MD-374.211	WR
MD-374.23	Single WR
MD-374.51	COG Square or Rectangular
MD-374.61	COS Square or Rectangular COG
MD-374.63	COG Circular
MD-374.70	Type S - Double Grate Tandem
MD-381.02	Yard

### INLET TOPS

IN-1	Penndot Type C
IN-2	Penndot Type M
IN-3	Penndot Type S Concrete
I-4	Slant Curb
I-5	Rolled Curb

### INLET TOPS for PENNDOT TOPS

IN-8	Box 24" x 45-1/4" for Penndot Tops
I-10	Box 38" x 45" for Penndot Tops

### OTHER INLET TOPS

I-12	Type C 2' x 6'
I-13	Type M 2' x 6'

### OTHER INLET BOXES

I-14	12' x 6'
I-44C	48" x 48" for Penndont Tops

### CATCH BASINS

CB-1	12" x 12"
CB-2	12" x 18"
CB-6	24" x 24"
CB-7	26" x 26"
CB-11	24" x 48"

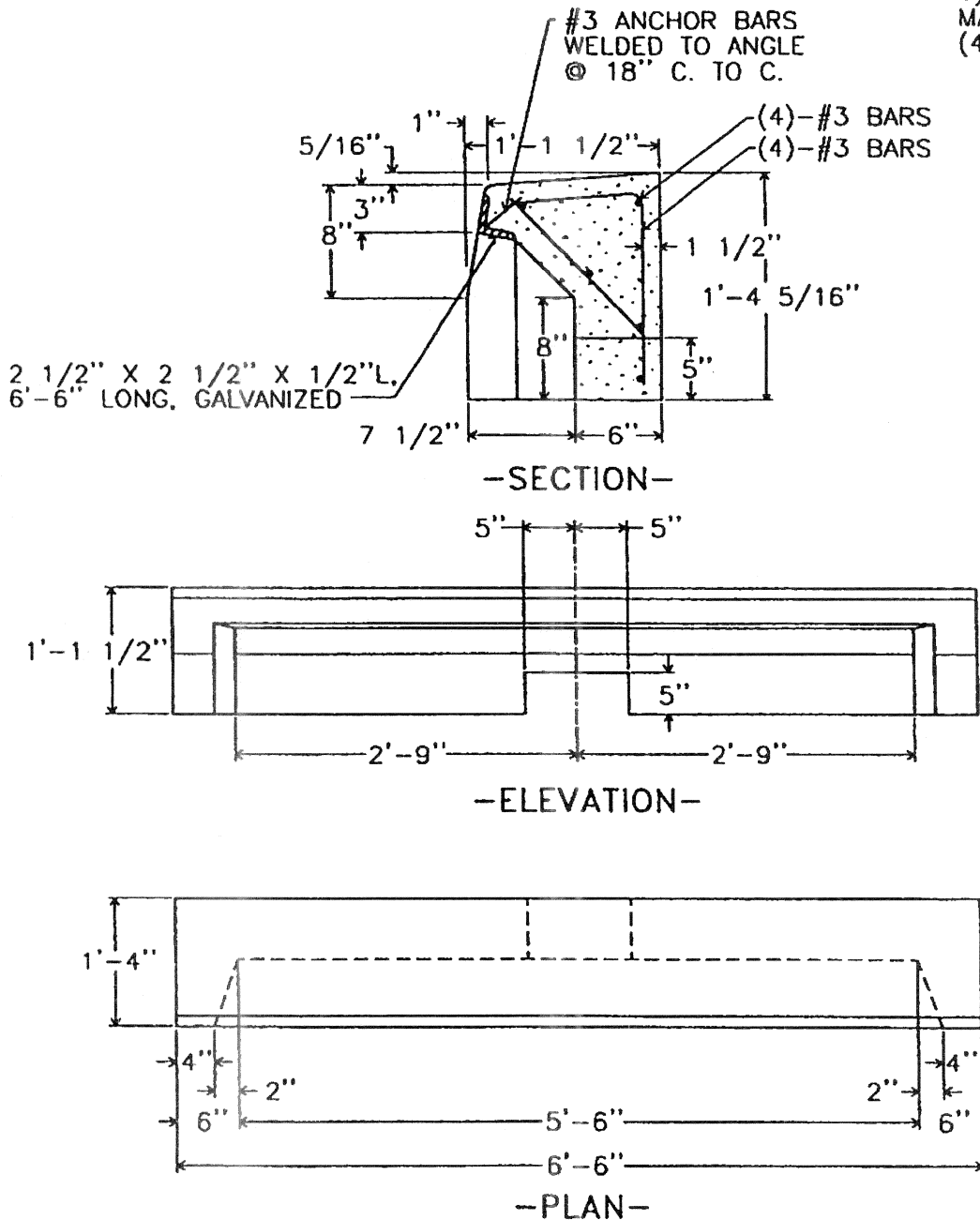


# CHESAPEAKE BAY SEPTIC TANK, LLC

Septic Installers' Local Distributor for Monarch Products Co. Inc.  
Precast Concrete Products

NOTES:

1) CONCRETE TO BE MARYLAND MIX NO.6 (4500 P.S.I.).



PRECAST WR INLET CURB HEAD

STANDARD NO.  
MD 374.21



# CHESAPEAKE BAY SEPTIC TANK, LLC

Septic Installers' Local Distributor for Monarch Products Co. Inc.  
Precast Concrete Products

**NOTES:**

1) CONCRETE TO BE MARYLAND MIX NO.6 (4500 P.S.I.).

2) LOCATION AND SIZE OF HOLES TO BE CAST AS REQUIRED.

PLOYPROPYLENE STEPS AS MANUFACTURED BY M.A. INDUSTRIES (SEE STD. MD.-383.91 ①)

BLOCKOUTS CAST INTO INLET TOP FOR I BEAM PLACEMENT

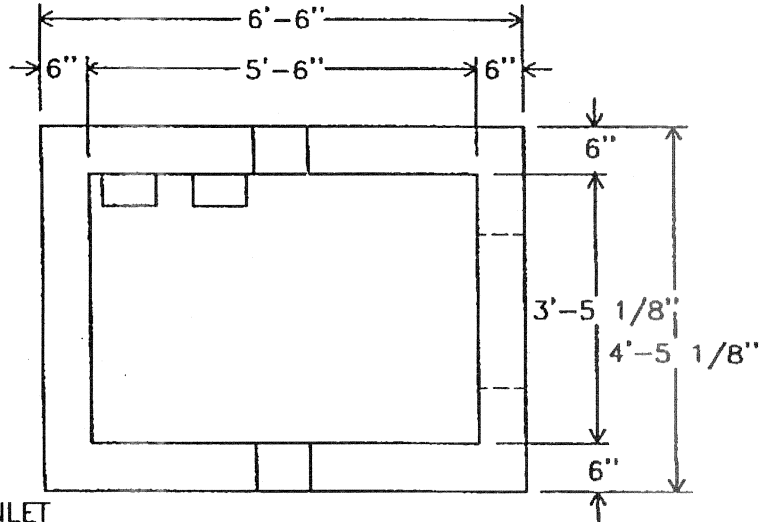
LADDER RUNGS (IF REQ'D.) SEE NOTE 3

RISER SECTION

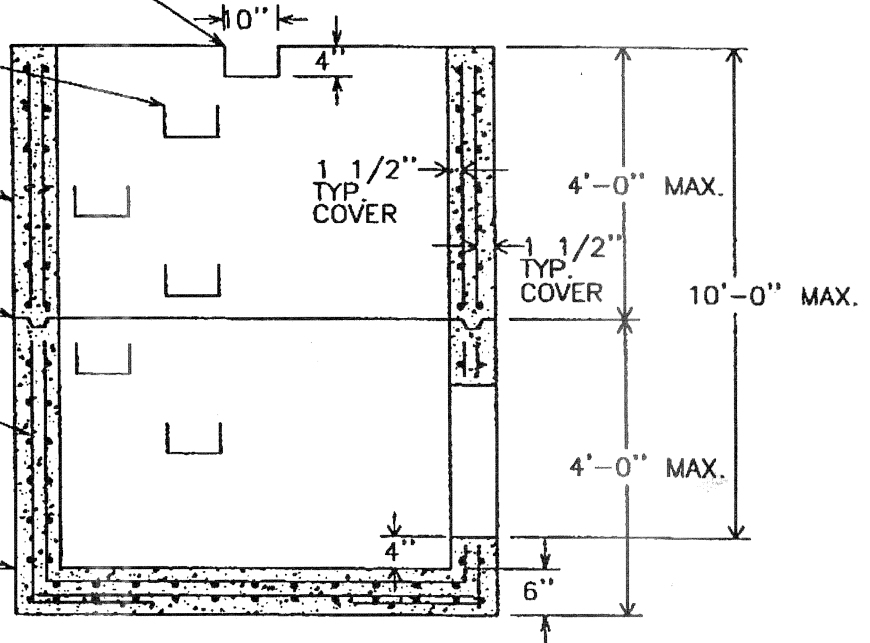
KEYED JOINT W/ SEALANT

REINFORCEMENT SHALL BE TWO LAYERS OF 4 X 4-W4.0 X W4.0 W.W.F..

BASE SECTION



-PLAN-



-SECTION-

PRECAST WR INLET

STANDARD NO.  
MD 374.211



# CHESAPEAKE BAY SEPTIC TANK, LLC

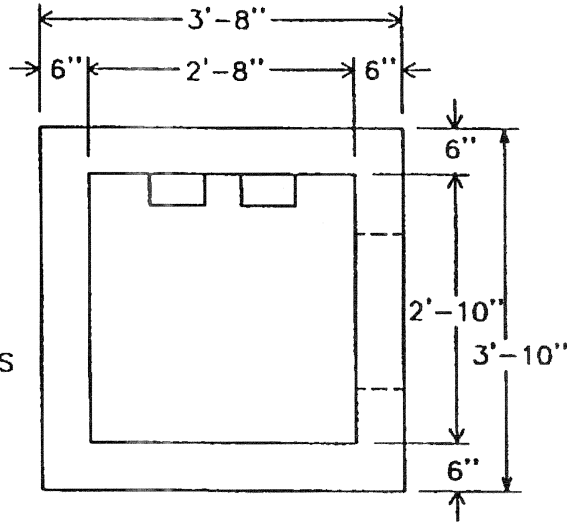
Septic Installers' Local Distributor for Monarch Products Co. Inc.  
Precast Concrete Products

**NOTES:**

1) CONCRETE TO BE MARYLAND MIX NO.6 (4500 P.S.I.).

2) LOCATION AND SIZE OF HOLES TO BE CAST AS REQUIRED.

3) POLYPROPYLENE STEPS AS MANUFACTURED BY M. A. INDUSTRIES (SEE STD. MD.-383.91 ①)



-PLAN-

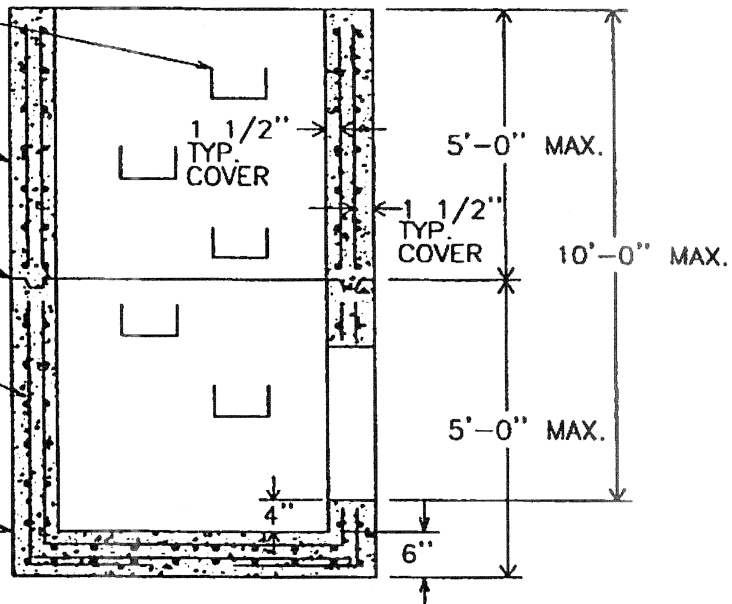
LADDER RUNGS (IF REQ'D.)  
SEE NOTE 3

RISER SECTION

KEYED JOINT  
W/ SEALANT

REINFORCEMENT SHALL  
BE TWO LAYERS OF 4 X  
4-W4.0 X W4.0 W.W.F..

BASE SECTION



-SECTION-

PRECAST SINGLE WR INLET

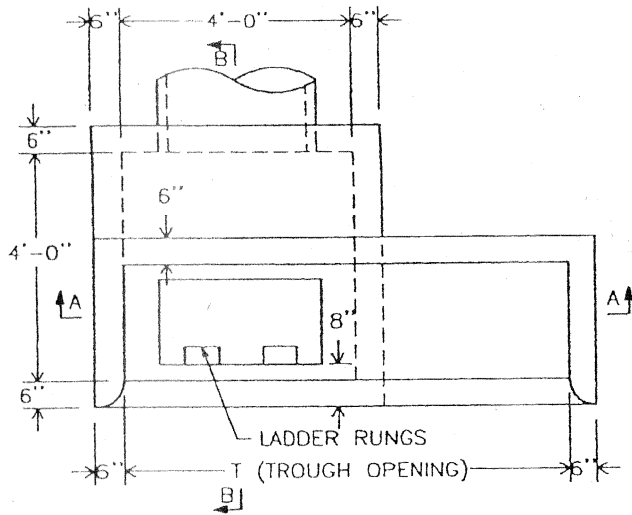
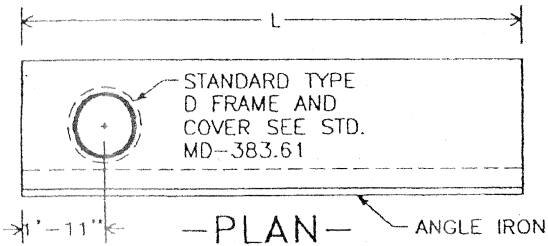
STANDARD NO.  
MD 374.23



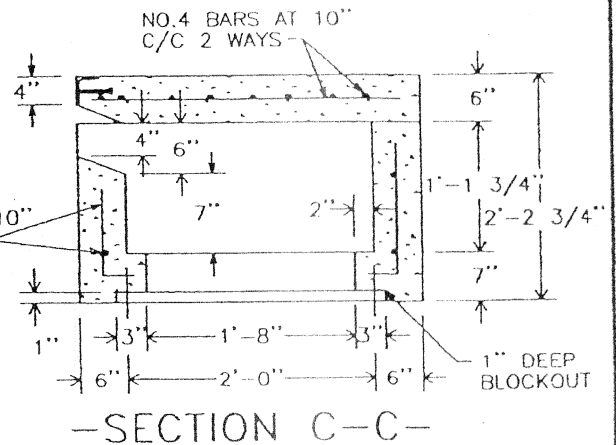
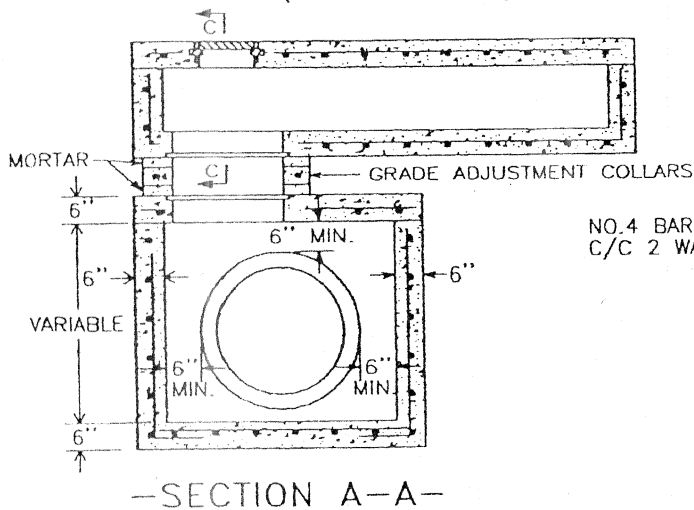


# CHESAPEAKE BAY SEPTIC TANK, LLC

Septic Installers' Local Distributor for Monarch Products Co. Inc.  
Precast Concrete Products



-PLAN-  
(WITHOUT TOP SLAB)



NOTES:

- 1) CONCRETE TO BE MARYLAND MIX NO.6 (4500 P.S.I.).
- 2) MINIMUM VERT. DEPTH TO BE 6'-2" FROM BOTTOM OF BASE TO TOP OF FRAME AND COVER.
- 3) LOCATION AND SIZE OF HOLES TO BE CAST AS REQUIRED.
- 4) REINFORCEMENT TO BE NO. 4 BARS PLACED IN THE CENTER OF INLET WALLS AT 6" C. TO C. 2 WAYS.

INLET TYPE	T	L
COG-5	5'-0"	6'-0"
COG-10	10'-0"	11'-0"
COG-15	15'-0"	16'-0"

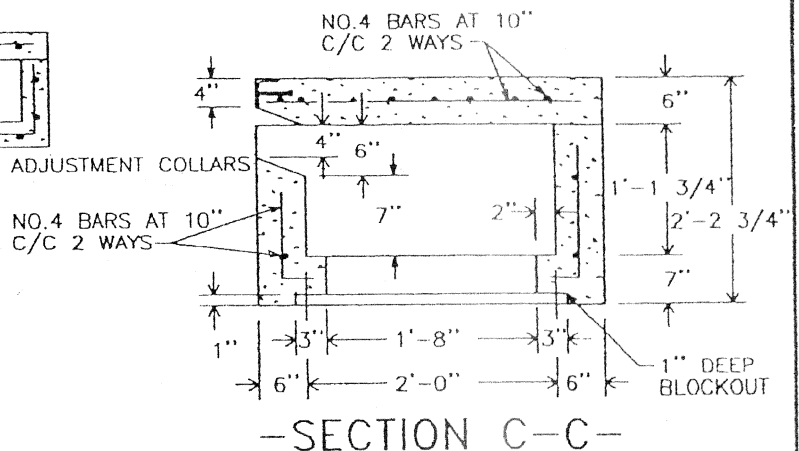
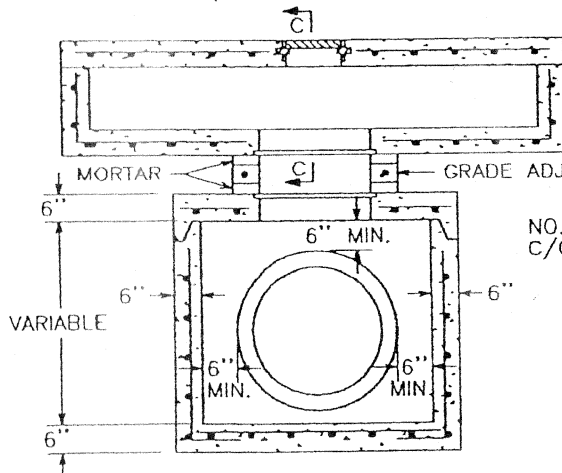
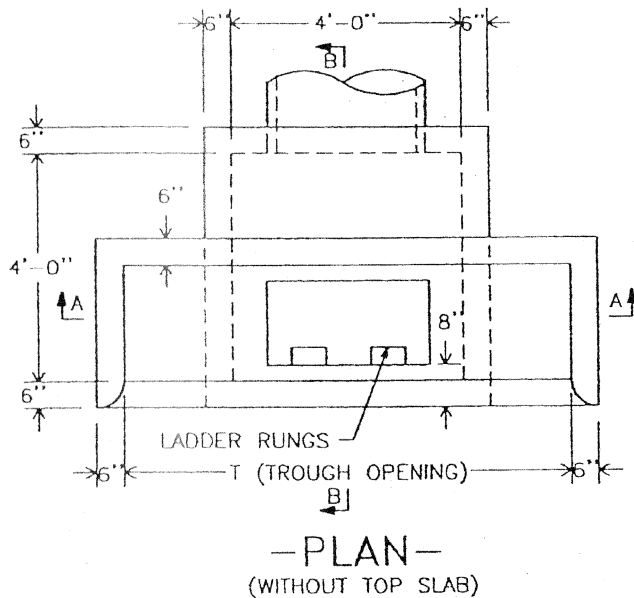
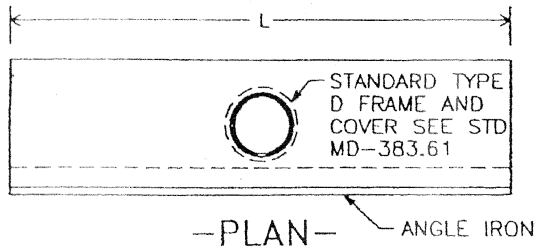
PRECAST SQUARE OR RECTANGULAR  
COG INLETS

STANDARD NO.  
MD-374.51



# CHESAPEAKE BAY SEPTIC TANK, LLC

Septic Installers' Local Distributor for Monarch Products Co. Inc.  
Precast Concrete Products



NOTES:

- 1) CONCRETE TO BE MARYLAND MIX NO.6 (4500 P.S.I.).
- 2) MINIMUM VERT. DEPTH TO BE 6'-2" FROM BOTTOM OF BASE TO TOP OF FRAME AND COVER.
- 3) LOCATION AND SIZE OF HOLES TO BE CAST AS REQUIRED.
- 4) REINFORCEMENT TO BE NO. 4 BARS PLACED IN THE CENTER OF INLET WALLS AT 6" C. TO C. 2 WAYS.

INLET TYPE	T	L
COS-5	5'-0"	6'-0"
COS-10	10'-0"	11'-0"
COS-15	15'-0"	16'-0"

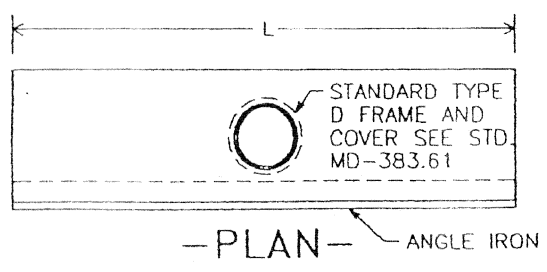
PRECAST SQUARE OR RECTANGULAR  
COS INLETS

STANDARD NO.  
MD-374.61



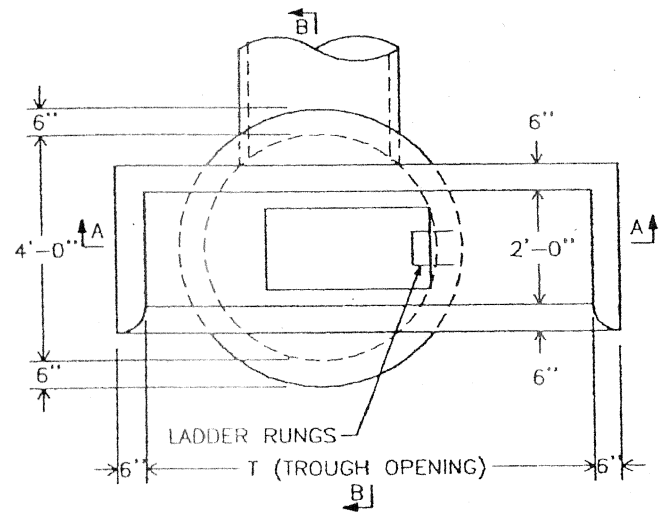
# CHESAPEAKE BAY SEPTIC TANK, LLC

Septic Installers' Local Distributor for Monarch Products Co. Inc.  
Precast Concrete Products

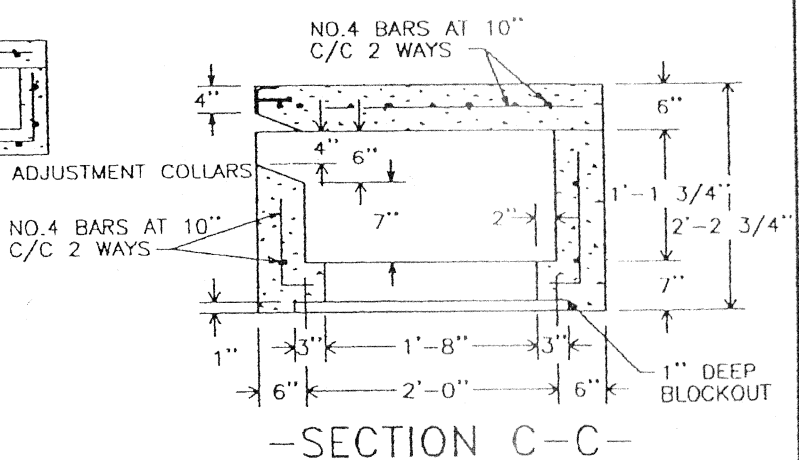
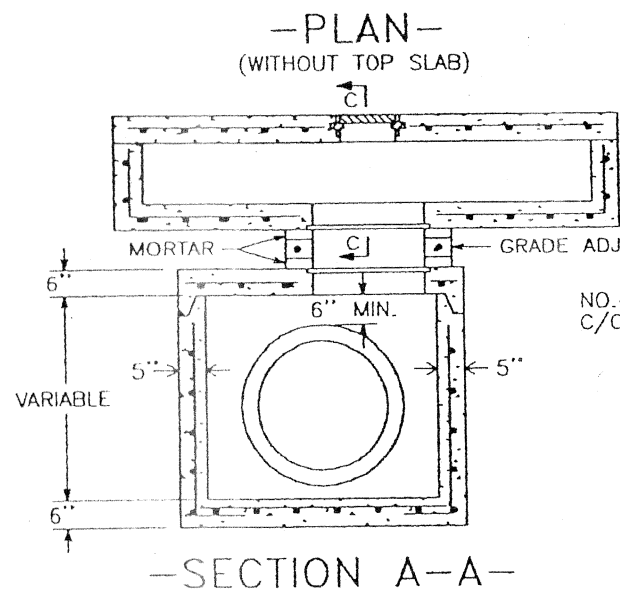


NOTES:

- 1) CONCRETE TO BE MARYLAND MIX NO.6 (4500 P.S.I).
- 2) MINIMUM VERT. DEPTH TO BE 5'-8" FROM BOTTOM OF BASE TO TOP OF FRAME AND COVER.
- 3) LOCATION AND SIZE OF HOLES TO BE CAST AS REQUIRED.
- 4) REINFORCEMENT TO BE NO. 4 BARS PLACED IN THE CENTER OF INLET WALLS AT 6" C. TO C. 2 WAYS.



INLET TYPE	T	L
COS-5	5'-0"	6'-0"
COS-10	10'-0"	11'-0"
COS-15	15'-0"	16'-0"



<p>PRECAST CIRCULAR COS INLETS</p>	<p>STANDARD NO. MD-374.63</p>
------------------------------------	-------------------------------

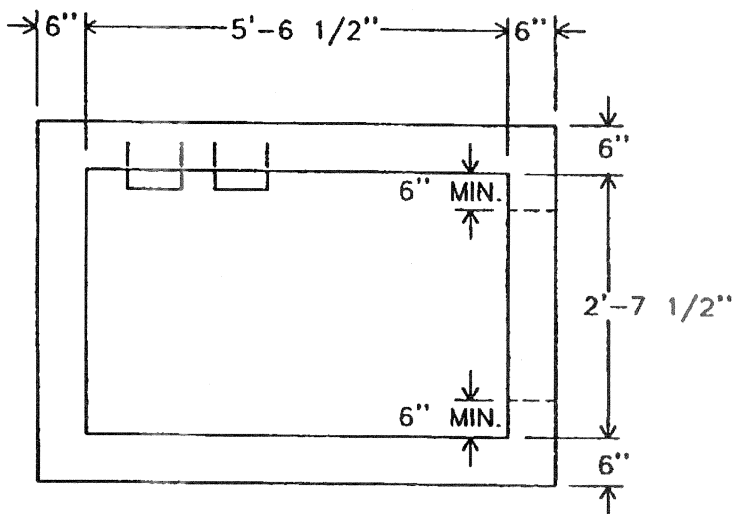


# CHESAPEAKE BAY SEPTIC TANK, LLC

Septic Installers' Local Distributor for Monarch Products Co. Inc.  
Precast Concrete Products

NOTES:

- 1) CONCRETE TO BE MARYLAND MIX NO.6 (4500 P.S.I.).
- 2) MINIMUM VERT. DEPTH TO BE 3'-10" FROM BOTTOM OF BASE TO TOP OF GRATE.
- 3) LOCATION AND SIZE OF HOLES TO BE CAST AS REQUIRED.



-PLAN-

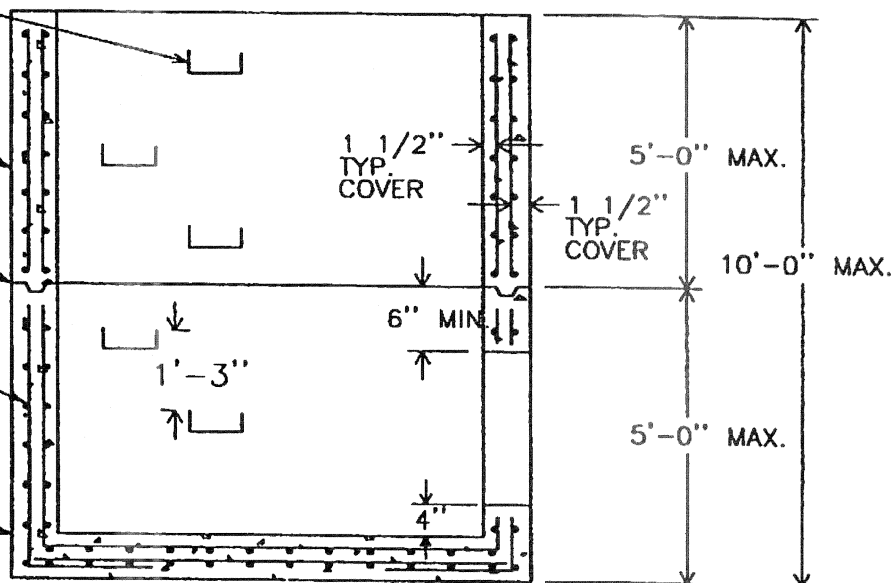
ALUMINUM STEPS

RISER SECTION

KEYED JOINT W/ SEALANT

REINFORCEMENT SHALL BE TWO LAYERS OF 4 X 4-W4.0 X W4.0 W.W.F..

BASE SECTION



-SECTION-

PRECAST TYPE S INLET  
DOUBLE GRATE TANDEM

STANDARD NO.  
MD-374.70

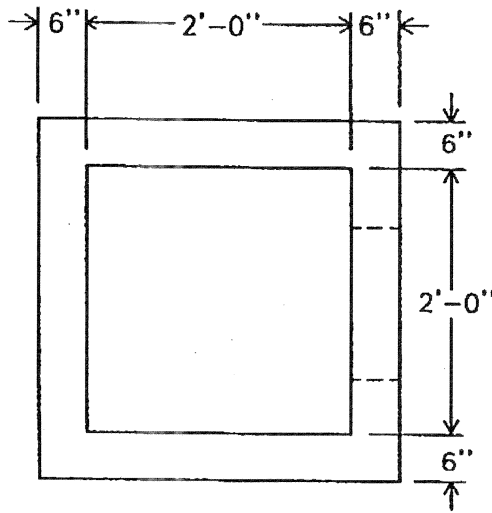


# CHESAPEAKE BAY SEPTIC TANK, LLC

Septic Installers' Local Distributor for Monarch Products Co. Inc.  
Precast Concrete Products

**NOTES:**

- 1) CONCRETE TO BE MARYLAND MIX NO.6 (4500 P.S.I.).
- 2) MINIMUM VERT. DEPTH TO BE 3'-6" FROM INV. OF PIPE TO TOP OF GRATE.
- 3) LOCATION AND SIZE OF HOLES TO BE CAST AS REQUIRED.



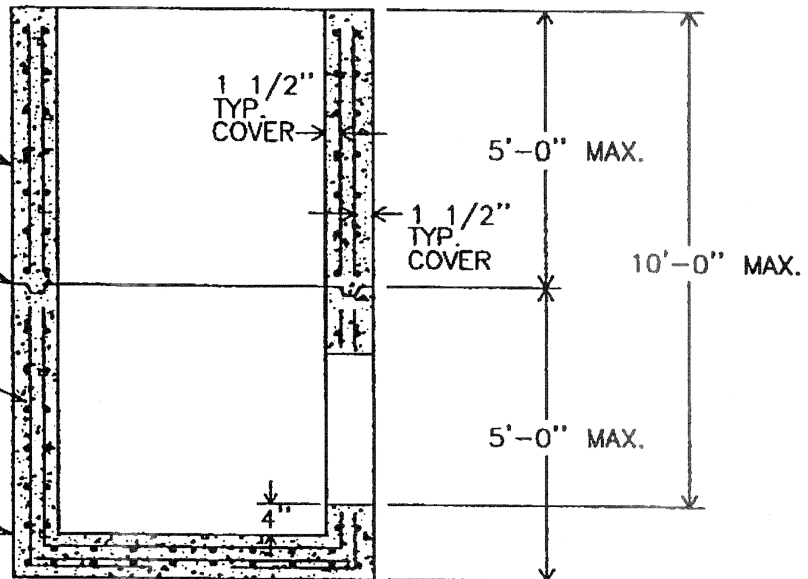
-PLAN-

RISER SECTION

KEYED JOINT  
W/ SEALANT

REINFORCEMENT SHALL  
BE TWO LAYERS OF 4 X  
4-W4.0 X W4.0 W.W.F..

BASE SECTION



-SECTION-

PRECAST YARD INLET

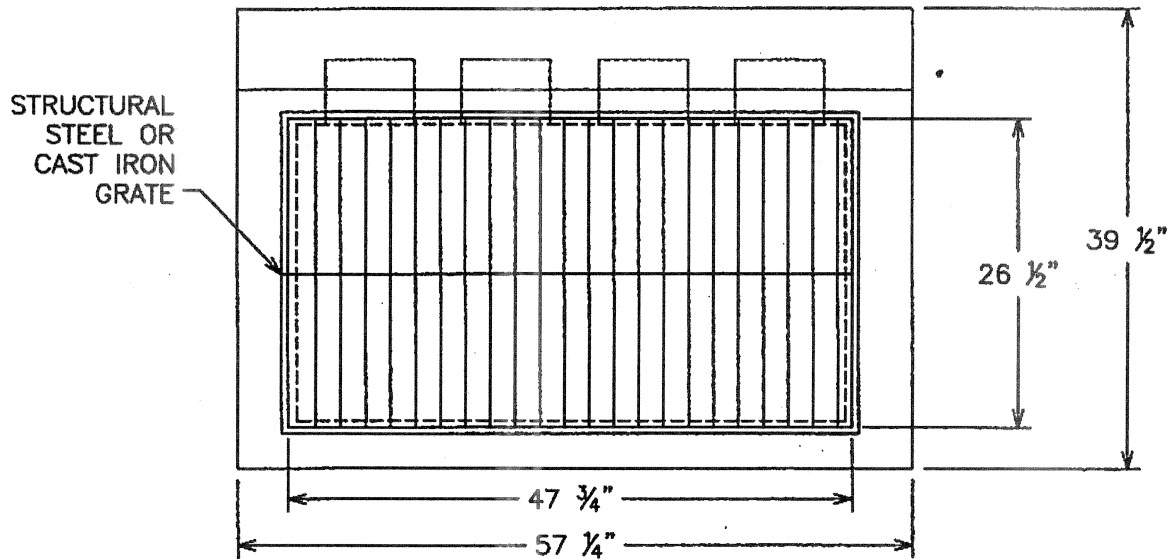
STANDARD NO.  
MD-381.02



# CHESAPEAKE BAY SEPTIC TANK, LLC

Septic Installers' Local Distributor for Monarch Products Co. Inc.  
Precast Concrete Products

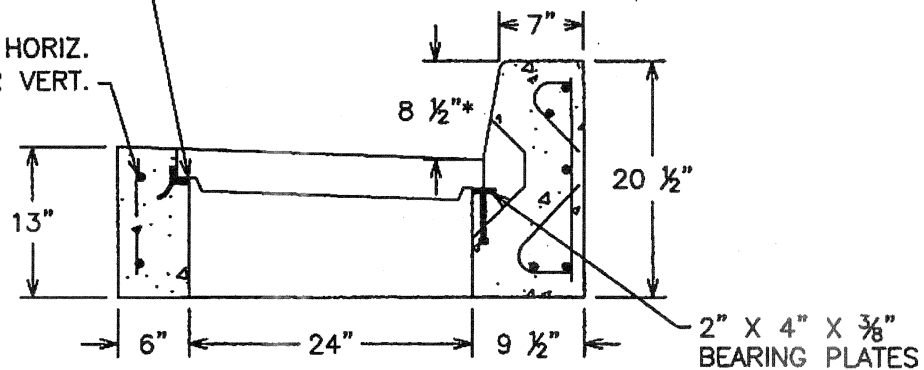
NOTE: MEETS PENNDOT RC-45 SPECIFICATIONS



-PLAN-

$1 \frac{3}{4}$ " X  $1 \frac{3}{4}$ " X  $\frac{1}{4}$ "  
GALV. ANGLE FRAME

#4 REBAR HORIZ.  
#3 REBAR VERT.



-SECTION-

\*ALSO AVAILABLE WITH 6", 7" AND 10" CURB HEIGHTS

PENNDOT TYPE C  
CONCRETE INLET TOP

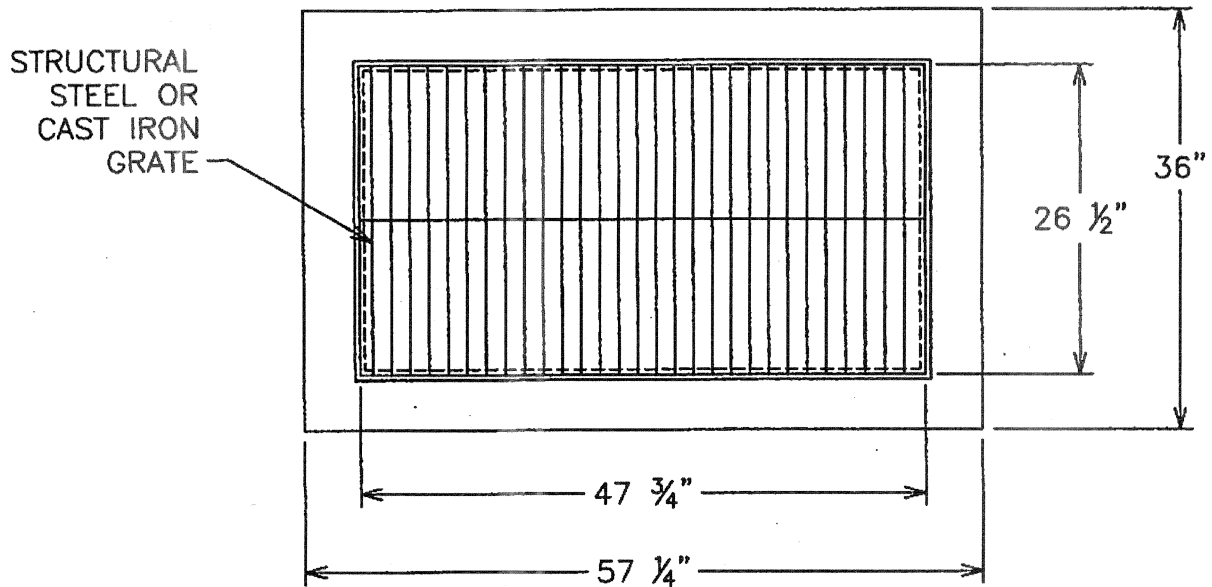
DWG. IN-1



# CHESAPEAKE BAY SEPTIC TANK, LLC

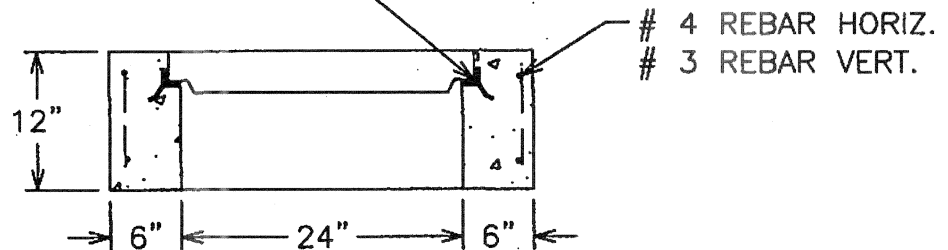
Septic Installers' Local Distributor for Monarch Products Co. Inc.  
Precast Concrete Products

NOTE: MEETS PENNDOT RC-45 SPECIFICATIONS



-PLAN-

1  $\frac{3}{4}$ " X 1  $\frac{3}{4}$ " X  $\frac{1}{4}$ "  
GALV. ANGLE FRAME



-SECTION-

PENNDOT TYPE M  
CONCRETE INLET TOP

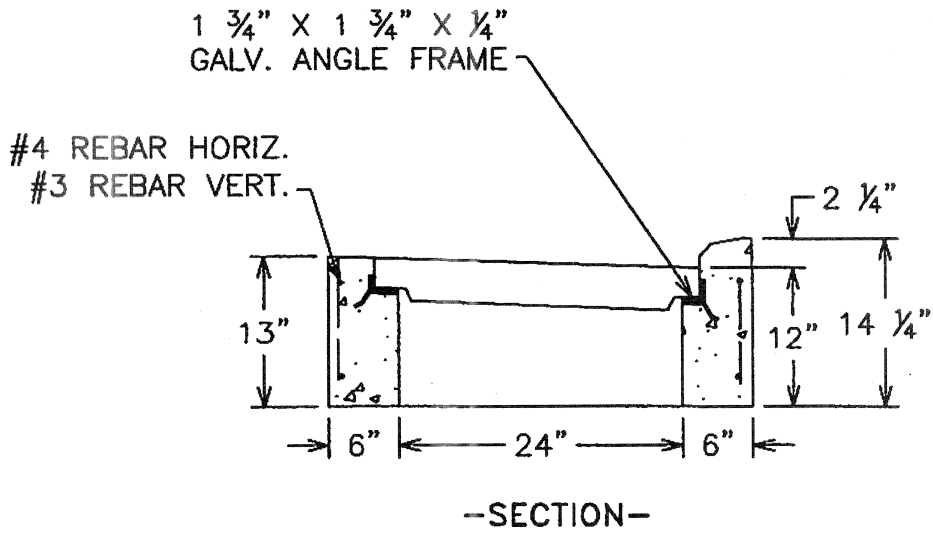
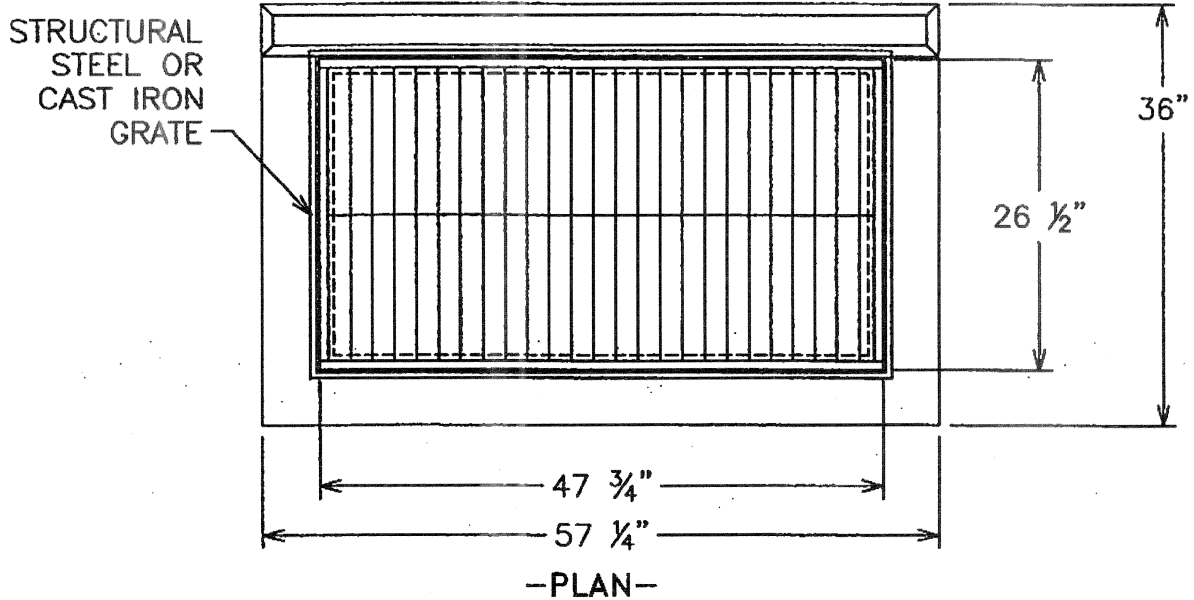
DWG. IN-2



# CHESAPEAKE BAY SEPTIC TANK, LLC

Septic Installers' Local Distributor for Monarch Products Co. Inc.  
Precast Concrete Products

NOTE: MEETS PENNDOT RC-45 SPECIFICATIONS



PENNDOT TYPE S  
CONCRETE INLET TOP

DWG. IN-3

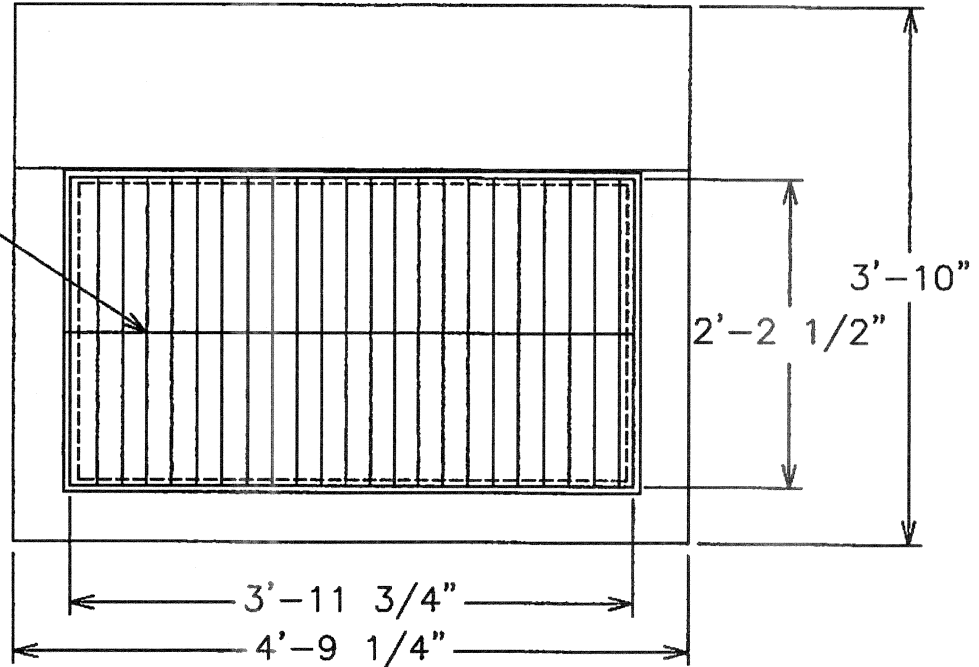




# CHESAPEAKE BAY SEPTIC TANK, LLC

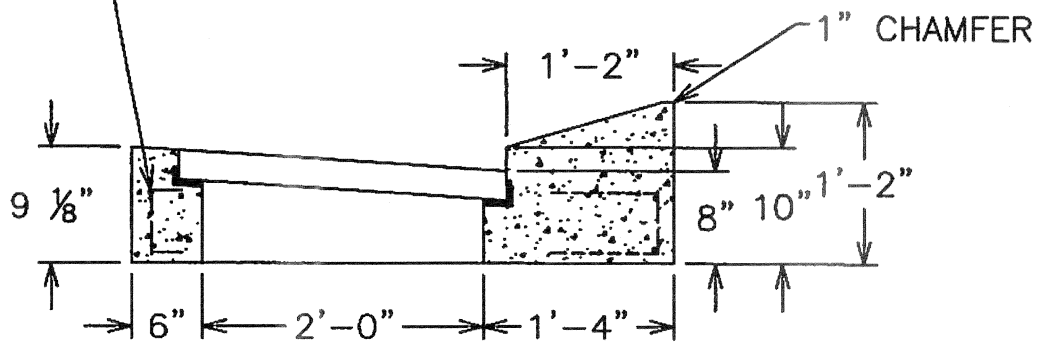
Septic Installers' Local Distributor for Monarch Products Co. Inc.  
Precast Concrete Products

STRUCTURAL  
STEEL GRATE



-PLAN-

#4 REBAR



-SECTION-

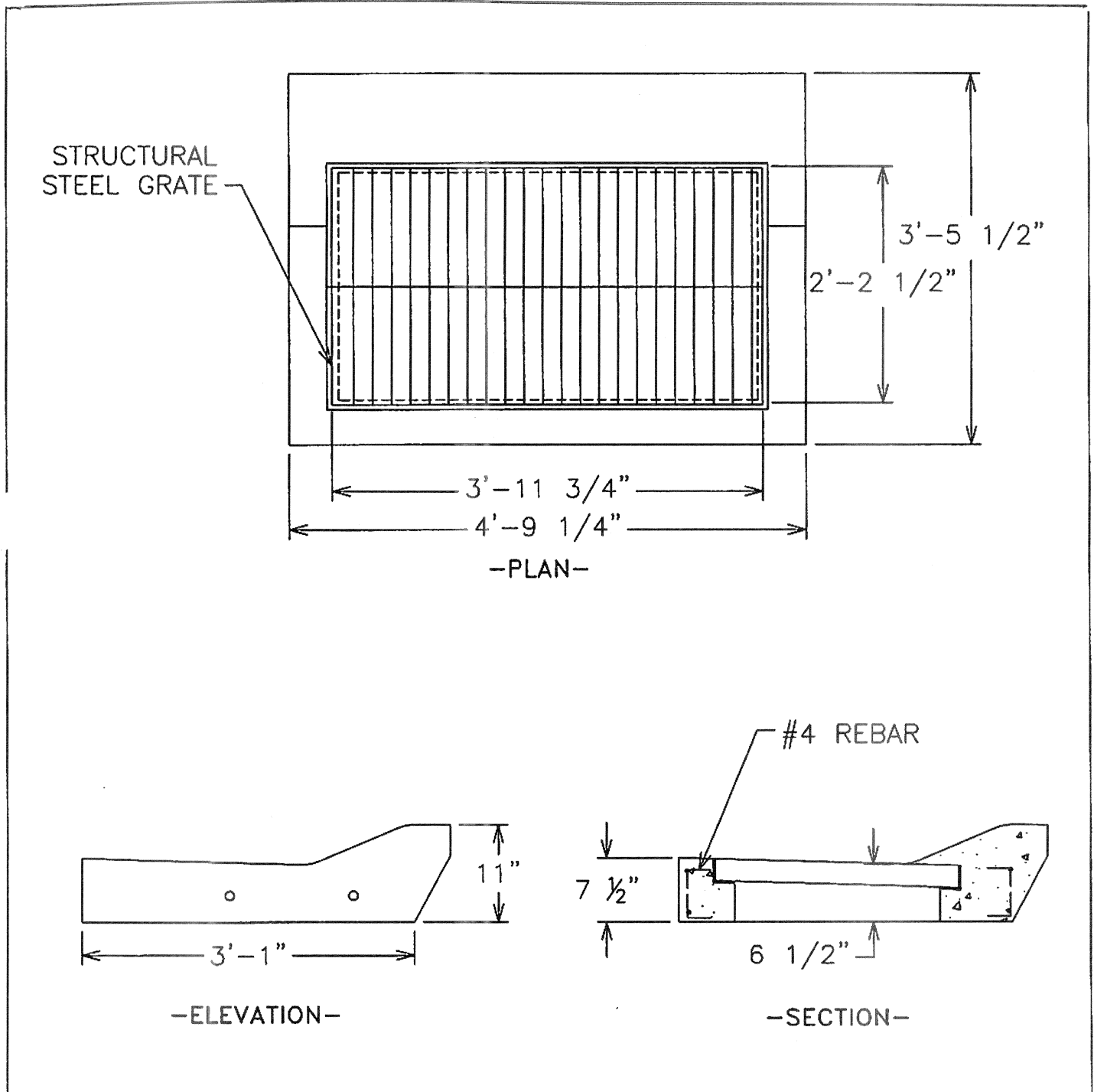
SLANT CURB  
CONCRETE INLET TOP

DWG. 1-4



# CHESAPEAKE BAY SEPTIC TANK, LLC

Septic Installers' Local Distributor for Monarch Products Co. Inc.  
Precast Concrete Products



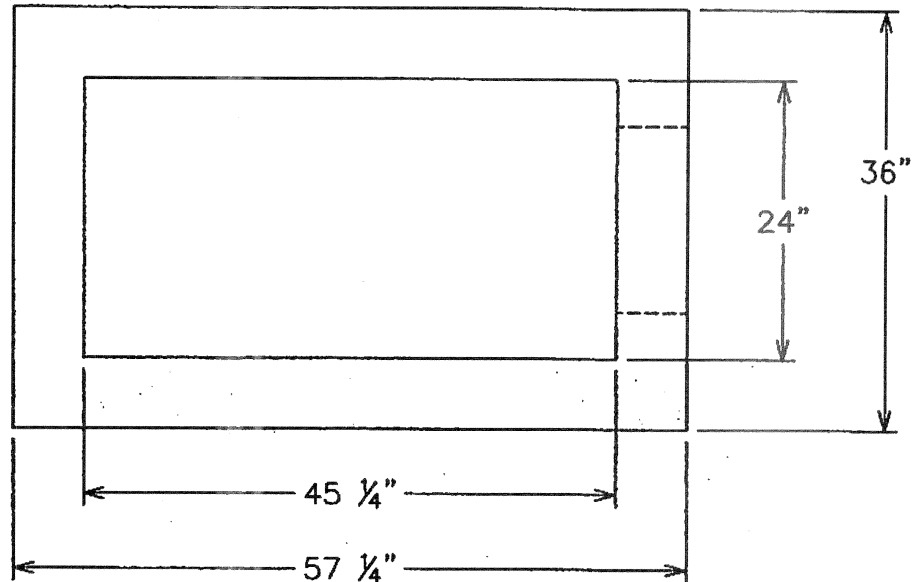
ROLLED CURB  
CONCRETE INLET TOP

DWG. 1-5



# CHESAPEAKE BAY SEPTIC TANK, LLC

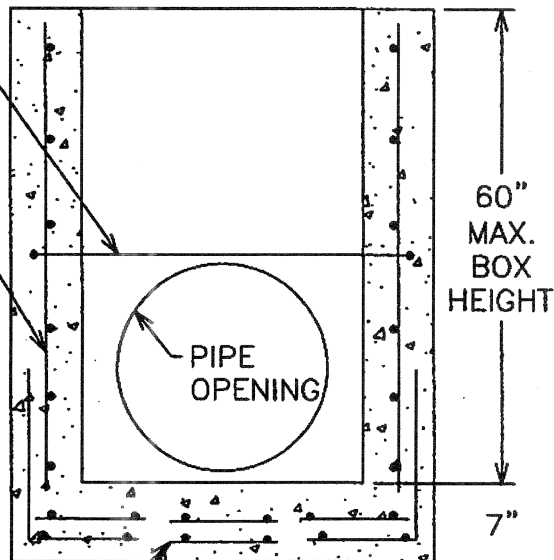
Septic Installers' Local Distributor for Monarch Products Co. Inc.  
Precast Concrete Products



-PLAN-

#4 BAR WITH 12" HOOK AT CORNERS

HEIGHT (INV. TO T.G.)	REINFORCEMENT (IN <sup>2</sup> /FT)	
	HORIZ	VERT.
4'	0.12	0.12
7'	0.16	
9'	0.20	
11'	0.24	
13'	0.28	
15'	0.32	
17'	0.36	
19'	0.40	



-SECTION-

\*RISER SECTIONS AVAILABLE FROM 2" TO 48"

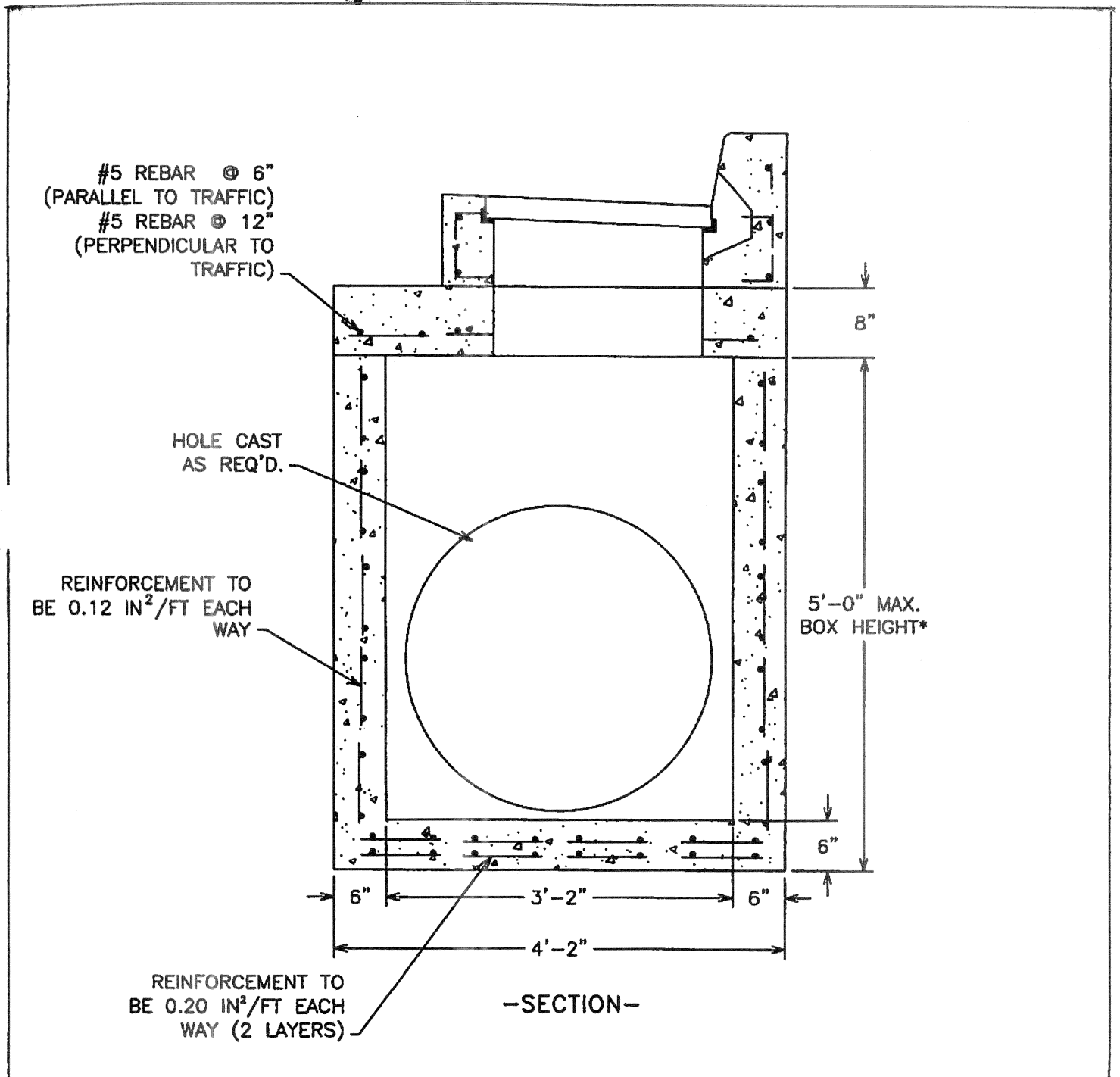
PRECAST INLET BOX 24" X 45 1/4"  
FOR PENNDOT INLET TOPS

DWG. IN-8



# CHESAPEAKE BAY SEPTIC TANK, LLC

Septic Installers' Local Distributor for Monarch Products Co. Inc.  
Precast Concrete Products



\*RISER SECTIONS AVAILABLE

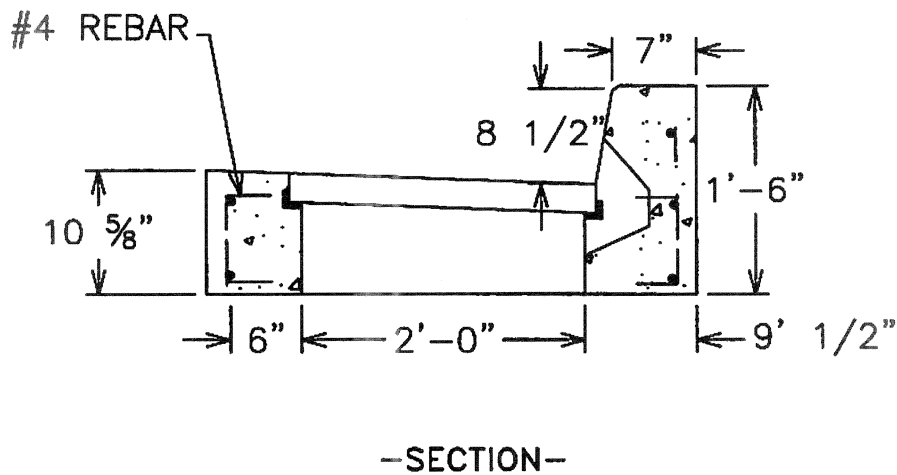
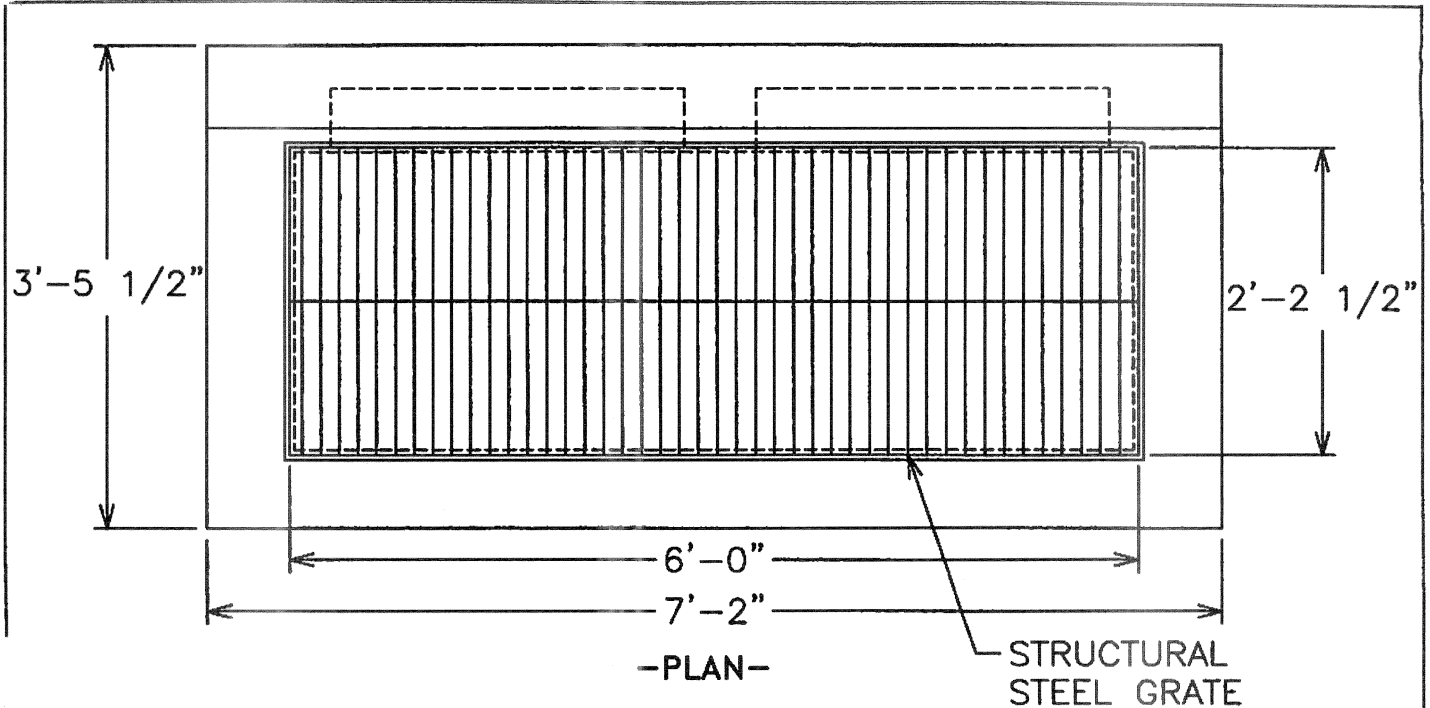
PRECAST INLET BOX 38" X 45"  
FOR PENNDOT INLET TOPS

DWG. I-10



# CHESAPEAKE BAY SEPTIC TANK, LLC

Septic Installers' Local Distributor for Monarch Products Co. Inc.  
Precast Concrete Products



\*ALSO AVAILABLE WITH  
7" & 10" CURB HEIGHTS

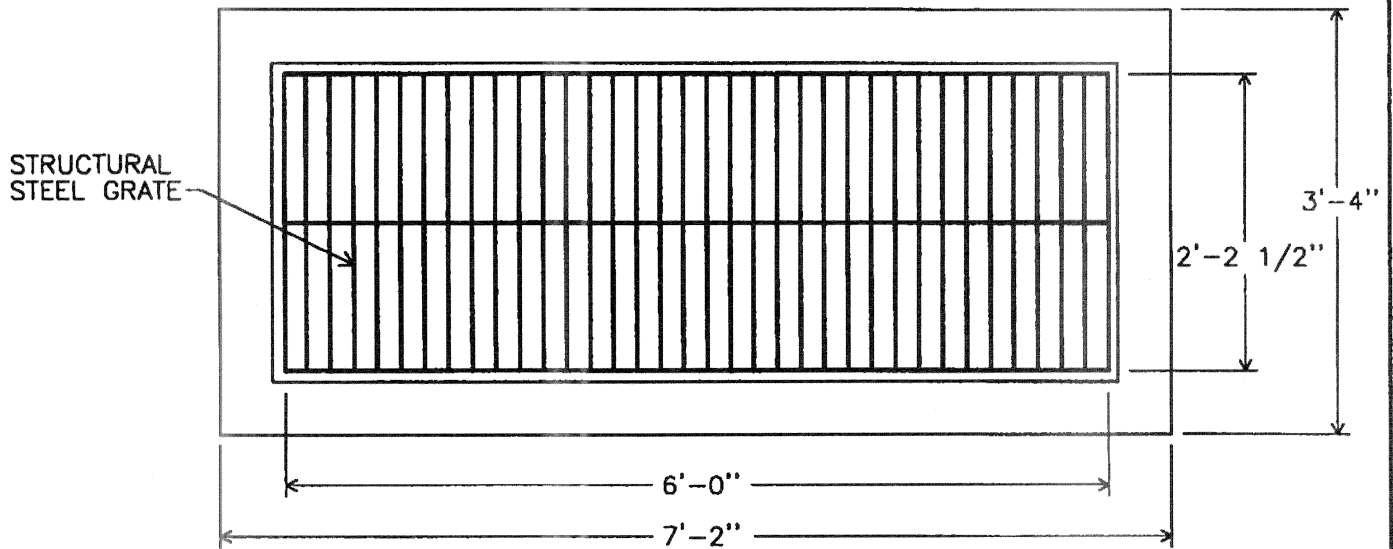
2' X 6' TYPE C INLET TOP

DWG. 1-12

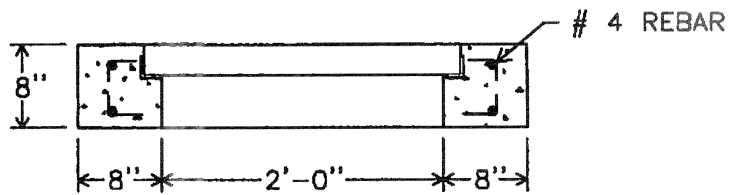


# CHESAPEAKE BAY SEPTIC TANK, LLC

Septic Installers' Local Distributor for Monarch Products Co. Inc.  
Precast Concrete Products



-PLAN-



-SECTION-

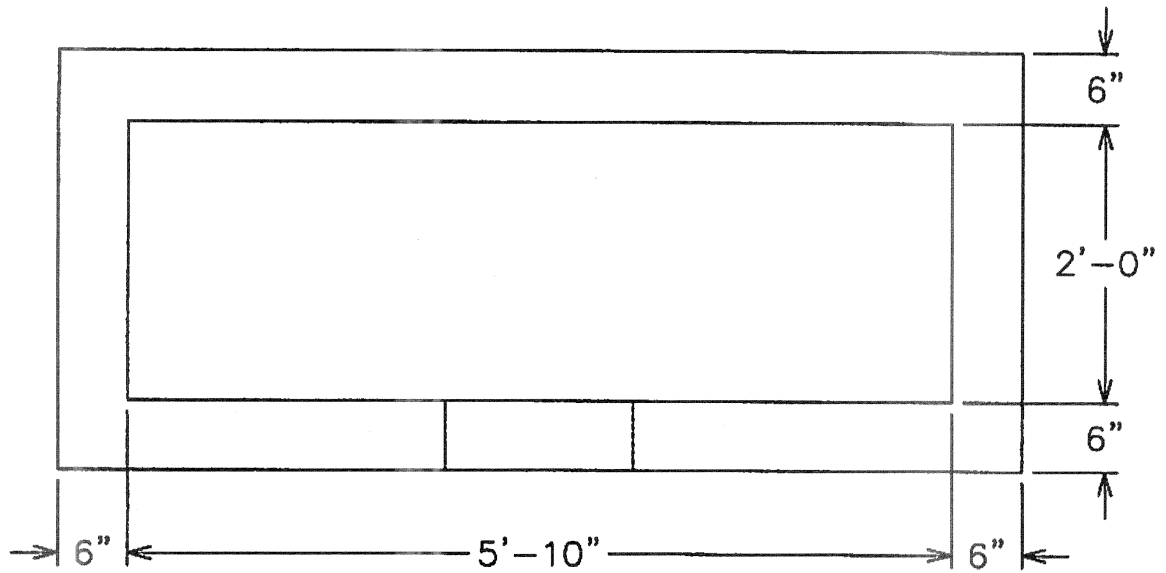
2' X 6' TYPE M INLET TOP

DWG. I-13

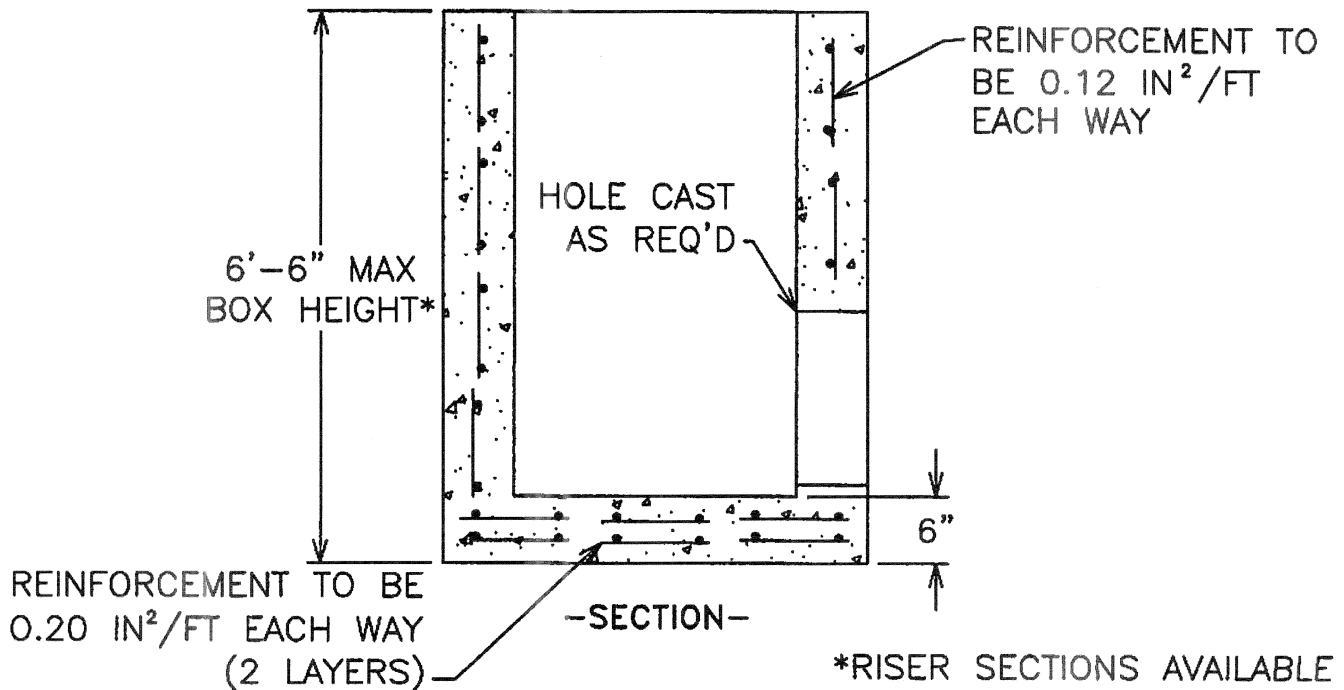


# CHESAPEAKE BAY SEPTIC TANK, LLC

Septic Installers' Local Distributor for Monarch Products Co. Inc.  
Precast Concrete Products



-PLAN-



-SECTION-

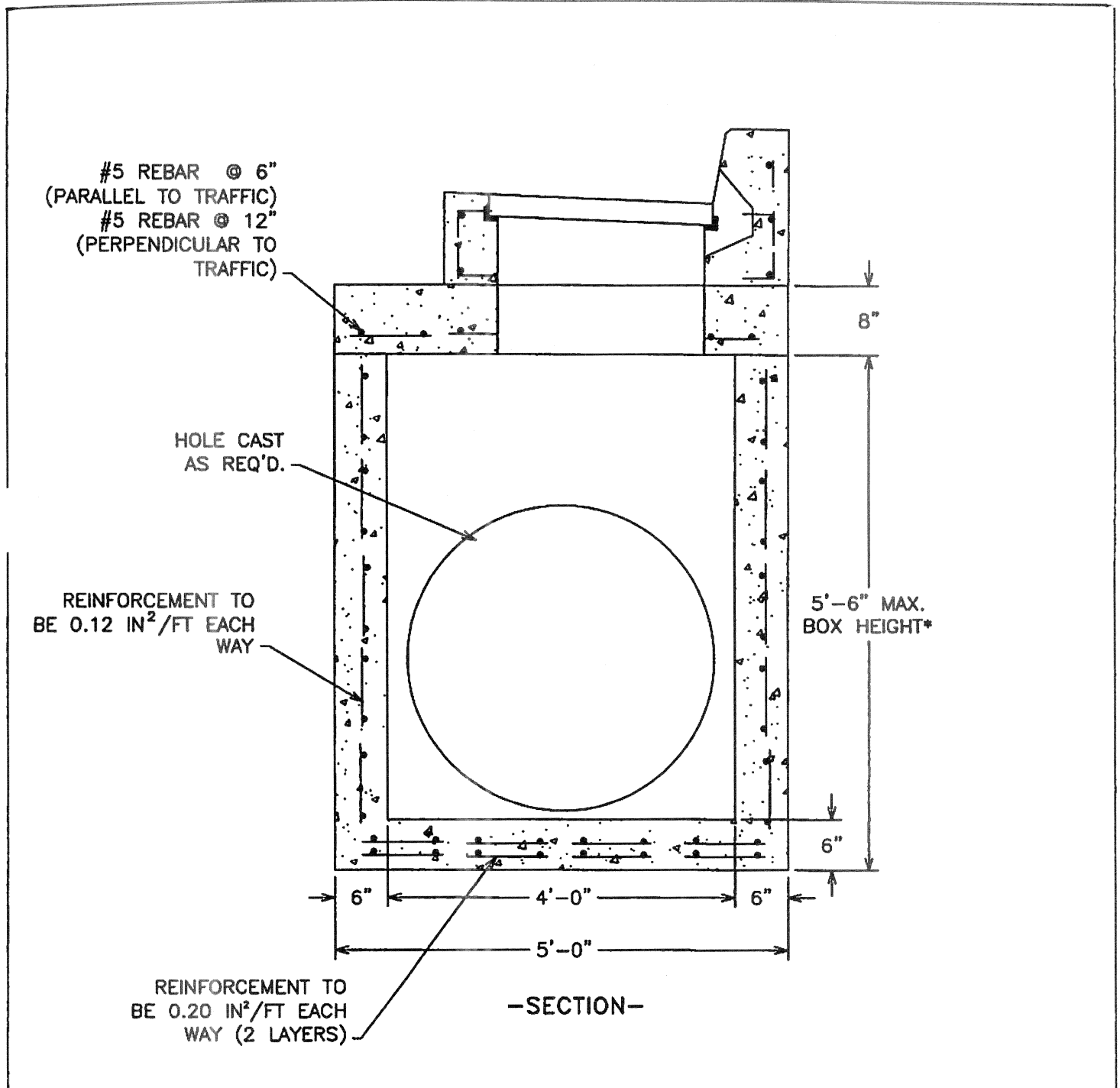
PRECAST INLET BOX 2' X 6'

DWG. I-14



# CHESAPEAKE BAY SEPTIC TANK, LLC

Septic Installers' Local Distributor for Monarch Products Co. Inc.  
Precast Concrete Products



\*RISER SECTIONS AVAILABLE

PRECAST INLET BOX 48" X 48"  
FOR PENNDOT INLET TOPS

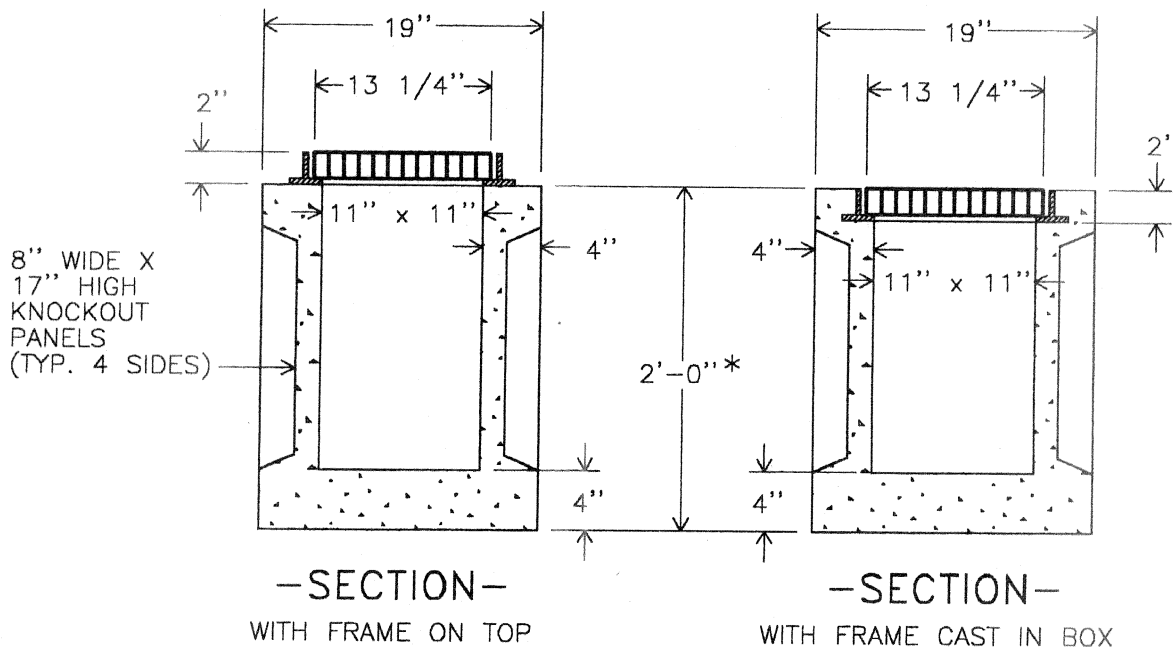
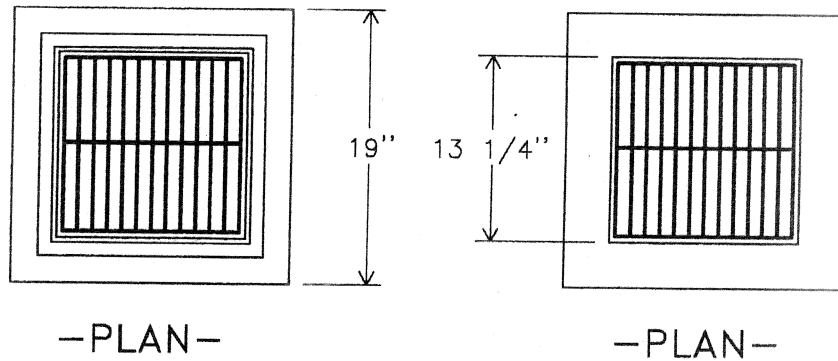
DWG. I-44C





# CHESAPEAKE BAY SEPTIC TANK, LLC

Septic Installers' Local Distributor for Monarch Products Co. Inc.  
Precast Concrete Products



\*RISER SECTIONS AVAILABLE

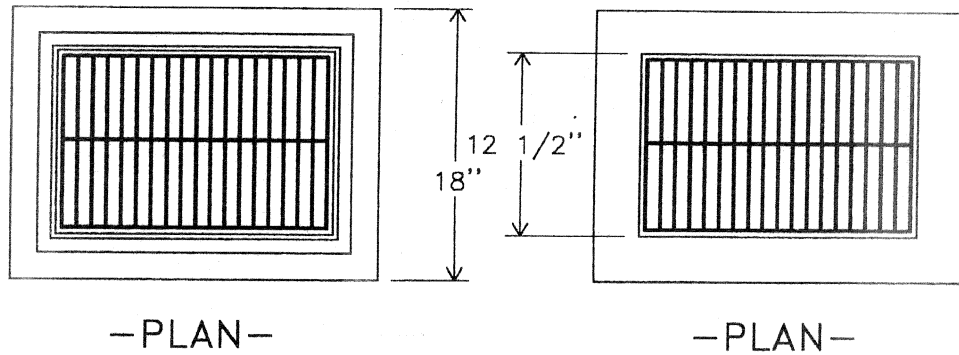
12" X 12" CATCH BASIN

DWG. CB-1



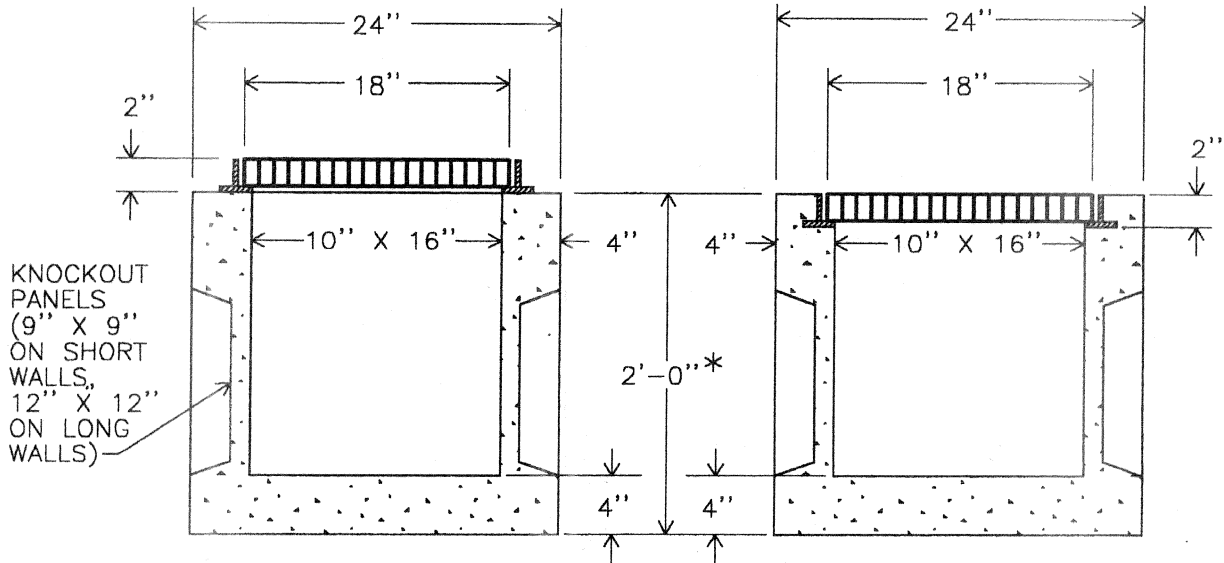
# CHESAPEAKE BAY SEPTIC TANK, LLC

Septic Installers' Local Distributor for Monarch Products Co. Inc.  
Precast Concrete Products



-PLAN-

-PLAN-



-SECTION-

WITH FRAME ON TOP

-SECTION-

WITH FRAME CAST IN BOX

\*RISER SECTIONS AVAILABLE

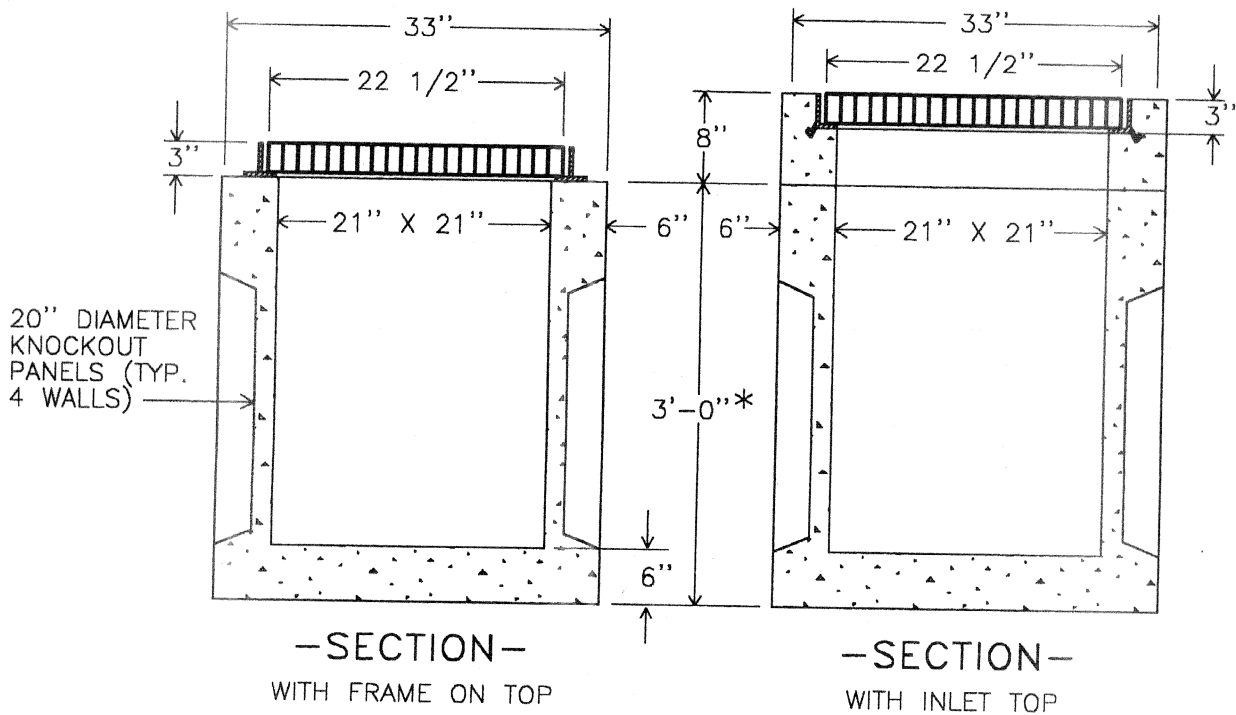
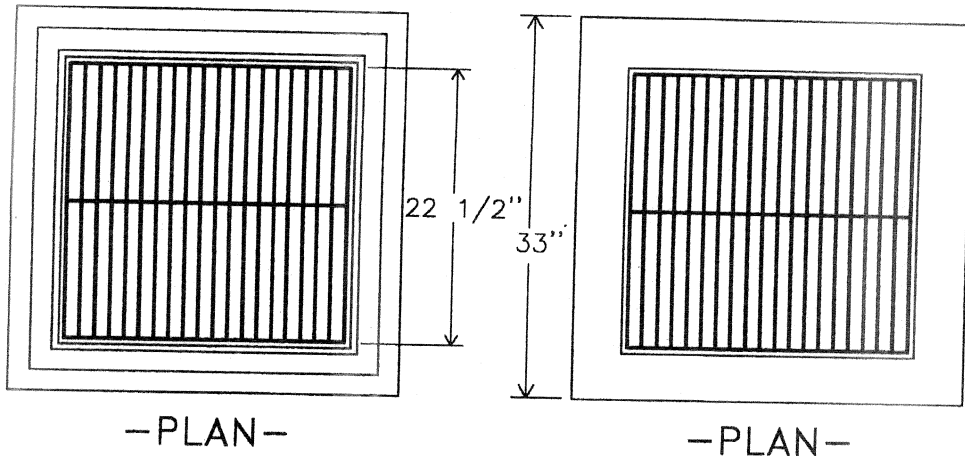
12'' X 18'' CATCH BASIN

DWG. CB-2



# CHESAPEAKE BAY SEPTIC TANK, LLC

Septic Installers' Local Distributor for Monarch Products Co. Inc.  
Precast Concrete Products



\*RISER SECTIONS AVAILABLE

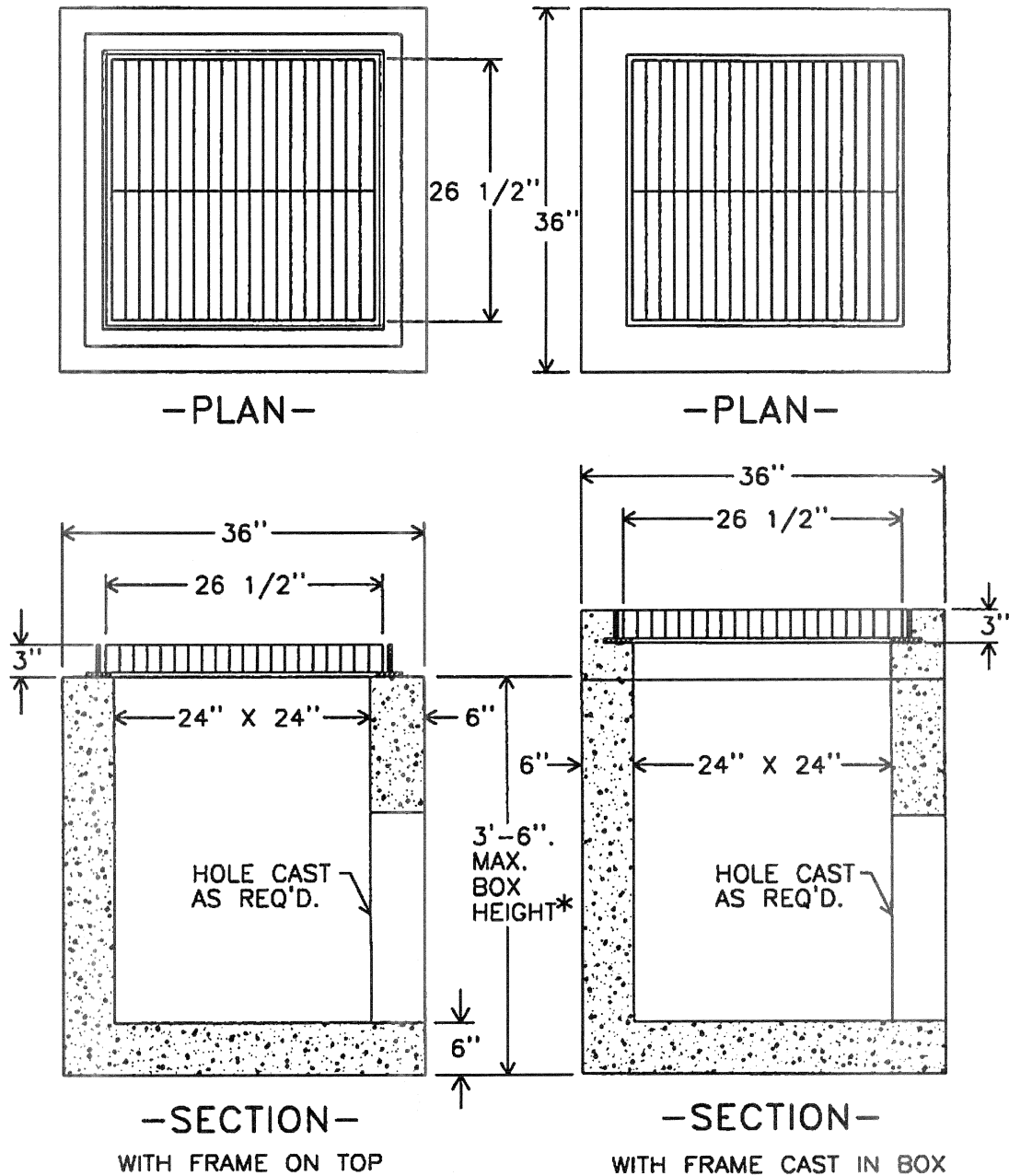
24" X 24" CATCH BASIN

DWG. CB-6



# CHESAPEAKE BAY SEPTIC TANK, LLC

Septic Installers' Local Distributor for Monarch Products Co. Inc.  
Precast Concrete Products



\*RISER SECTIONS AVAILABLE

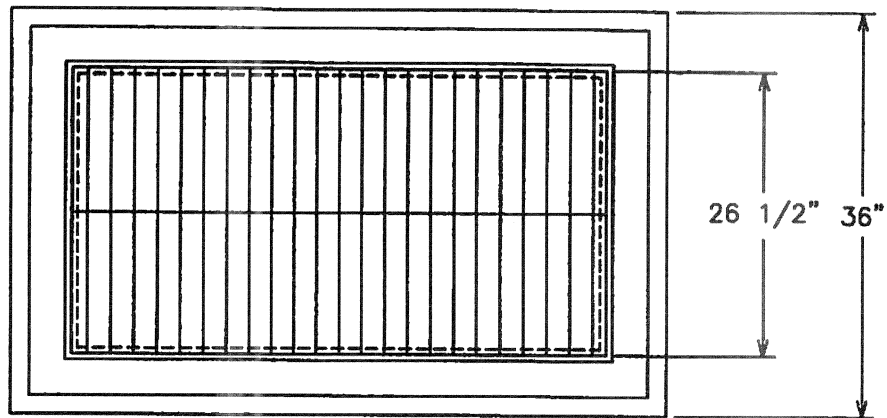
26'' X 26'' CATCH BASIN

DWG. CB-7

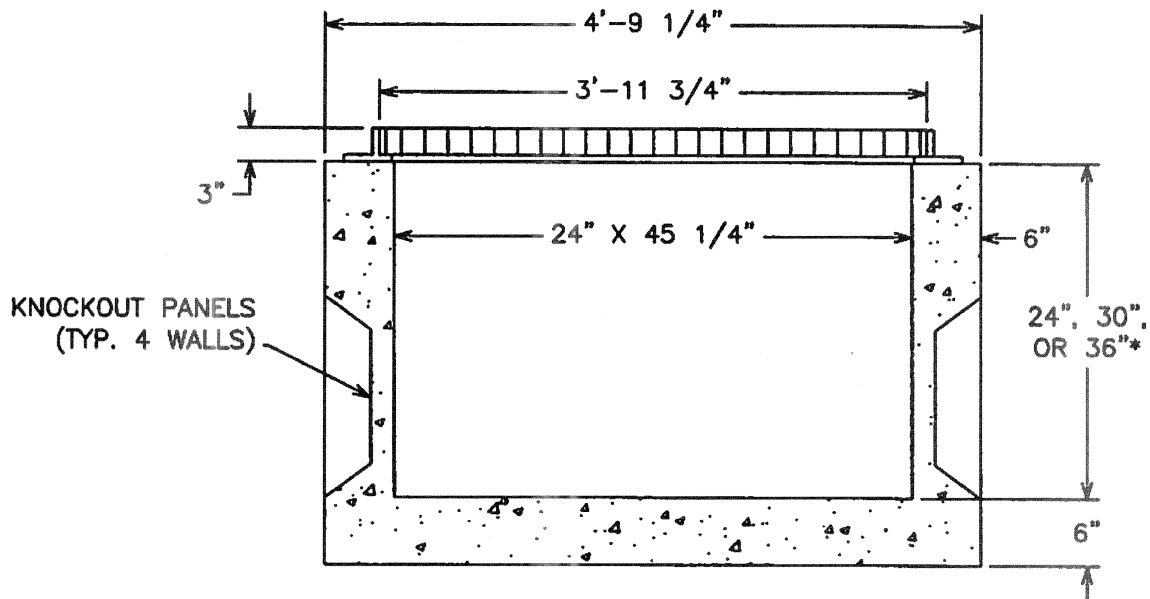


# CHESAPEAKE BAY SEPTIC TANK, LLC

Septic Installers' Local Distributor for Monarch Products Co. Inc.  
Precast Concrete Products



-PLAN-



-SECTION-  
WITH FRAME AND GRATE

\*RISER SECTIONS AVAILABLE

24" X 48" CATCH BASIN

DWG. CB-11